



# Series 417

## 1/16 True Off Delay Timer



### TRUE OFF DELAY OPERATION

When power is applied to the timer, the relay energizes and the indicating LED turns on. When power is removed, the timing starts and the LED turns off. The output relay remains energized until the end of the cycle, or by connecting terminal 1 to terminal 4 when using the remote reset model.

### UNIVERSAL POWER SUPPLY

Each 417B can be powered from 24VAC to 240VAC and 24VDC, greatly simplifying ordering and inventory management.

### INDUSTRIAL SERVICE DESIGN

The 417A is designed for the most rugged industrial environments. It offers exceptional electrical noise immunity, with excellent setting and repeat accuracy.

### 48mm<sup>2</sup> DIN HOUSING

The 48mm<sup>2</sup> (1/16 DIN) housing is compact and watertight when panel-mounted. The 417B is mounted in an 8-pin octal or 11-pin round socket. The 417B can be panel-mounted with an optional mounting clip.

A large time-setting knob is provided for easy adjustment by operator.

The range select switch is located on the side of the unit; therefore, once panel-mounted, the switch is not accessible to the operator. This tamper-proof feature prevents unauthorized or hazardous changes to the timing range.

### POWER ON INDICATOR

The 417's high intensity LED turns on when power is applied to the timer. It turns off during timing.

### APPROVALS

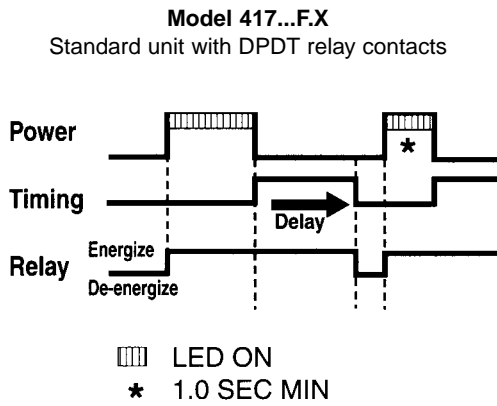
See agency listing on back of cover.

## PRODUCT HIGHLIGHTS

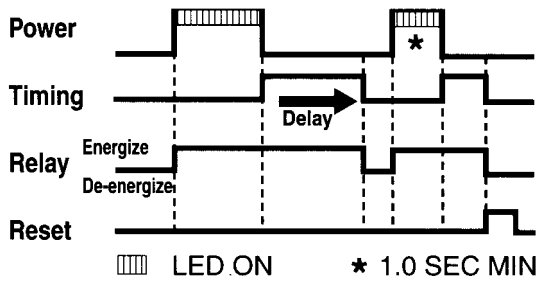
- True off delay mode of operation.
- Output contacts rated 10A at 120/240 VAC
- Three timing ranges in a single unit:  
10 SEC, 1 MIN, 10 MIN  
5 SEC, 0.5 MIN, 5 MIN
- Universal power operation:  
24 VAC to 240 VAC and  
24 VDC
- 8-pin or 11-pin mounting.
- Remote reset models.
- 48mm<sup>2</sup> DIN standard housing
- Watertight when panel-mounted
- Range selection is tamper-proof when panel-mounted.

**OPERATION**

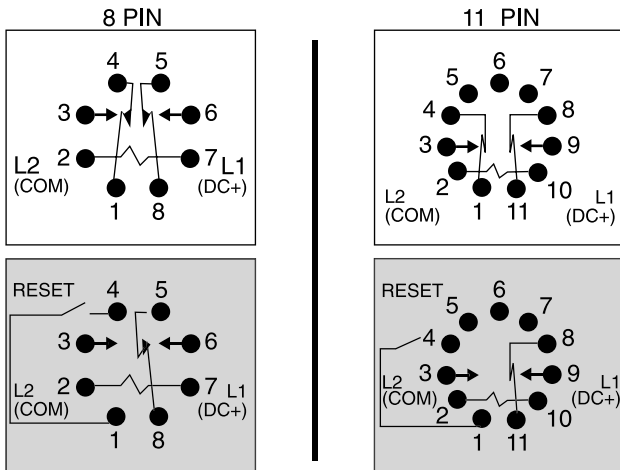
When power is applied to the timer, the relay energizes and the indicating LED turns on. Timing starts when power is removed, and the LED turns off. The output relay remains energized until the end of the cycle, or by connecting terminals 1 to 4 when using the Remote Reset Model.



**Model 417...F.R**  
Same as standard unit except with SPDT relay contacts and ability to reset from an externally located remote reset switch



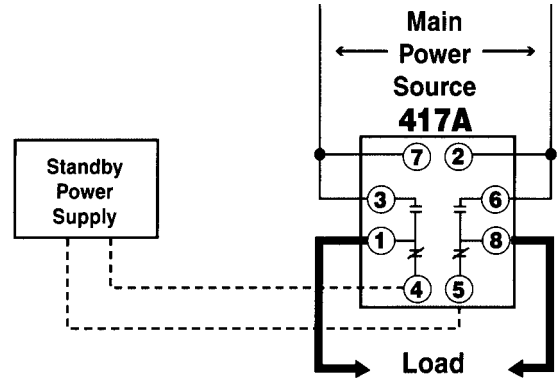
**TERMINAL WIRING**



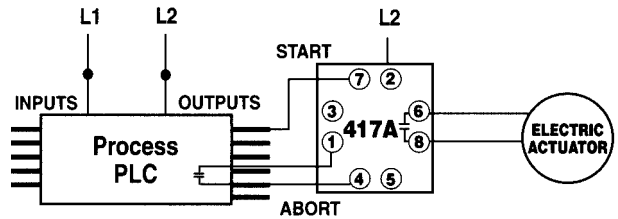
Bottom view of TDR

**TYPICAL APPLICATIONS**

Whenever main power is interrupted, the 417A (adjustable from 0.1 SEC to 10 MIN), enables an emergency backup power source.

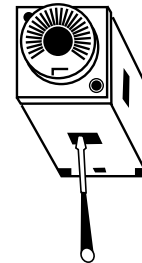


Controlled by a PLC, the 417A timing cycle can be aborted by using the remote reset terminals.



**SETTING THE RANGE**

Refer to the drawing. Using a small screwdriver inserted into the adjusting slot as shown (fig. 1), rotate the range switch. The selected range will appear through the window of the dial face.



Before starting your design, read the safety statement on the inside back cover of the ATC catalog.

**SPECIFICATIONS**

**MODELS**

Choice of eight multi-range units.  
Each model has three timing ranges.

**RANGE**

Model 417A100...(10 sec, 1 min, 10 min)  
Model 417A500...(5 sec, 0.5 min, 5 min)

**MINIMUM SETTING**

2% of range

**SETTING ACCURACY**

+/-10%

**POWER REQUIREMENTS**

24 to 240 VAC & 24 VDC, 50 or 60 Hz,  
(+10%, -20%) 24 to 240 VAC.

(+20%, -20%) 24 VDC

DC MAXIMUM RIPPLE AT 60 Hz-5%

**LOAD RELAY**

TYPE: DPDT, Standard Models  
SPDT, Remote Reset Models

LIFE: 10,000,000 operations (no load)  
100,000 operations with  
5 AMPS at 30 VDC (or less) or  
5 AMPS at 250 VAC (or less)

**CONTACT RATING:**

5 AMPS (Resistive @ 250 VAC)  
30 VDC, or 1/6HP @ 120 VAC

**HOUSING**

48 mm (1/16 DIN) housing is watertight  
when panel mounted.

**REPEAT ACCURACY**

+/-5%\*  
\*variation from avg. actual time

**TEMPERATURE RATING**

-18° to 60° C  
0° to 140° F

**NOISE IMMUNITY**

Showering Arc per NEMA 2-230, the 417  
will withstand a voltage surge of 4500  
volts for 50 micro seconds without dam-  
age.

**REMOTE RESET**

50 ms minimum  
(remote reset models)

**POWER ON TIME**

1.0 sec minimum

**INDICATOR**

Power on LED

**MOUNTING**

Plug in base available in 8-Pin Octal or  
11-Pin Round Base

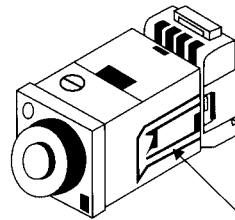
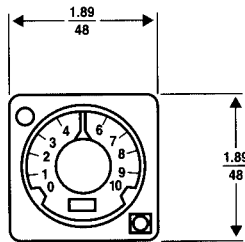
OPTIONS: Surface Mounting Socket  
DIN Rail Mounting Socket  
Panel Mounting Kit  
Plug-in Socket Kit

**WEIGHT**

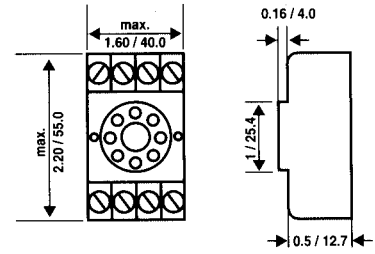
NET: 5 oz.  
SHIPPING: 1 lb.

**DIMENSIONS:**

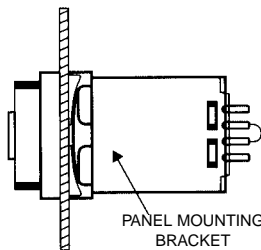
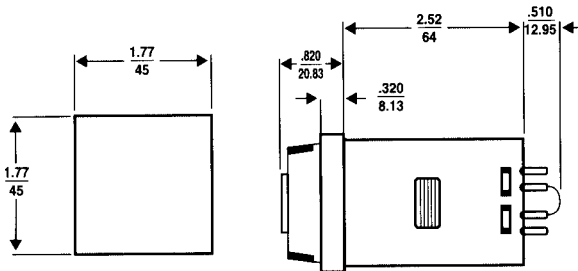
INCHES  
MILLIMETERS



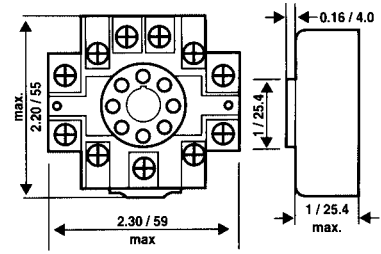
HOLD DOWN CLIP  
ATC P/N 04070251300



8 PIN SURFACE/DIN SOCKET  
ATC P/N 00008258500



PANEL MOUNTING  
BRACKET  
ATC P/N 0405-320-02-00



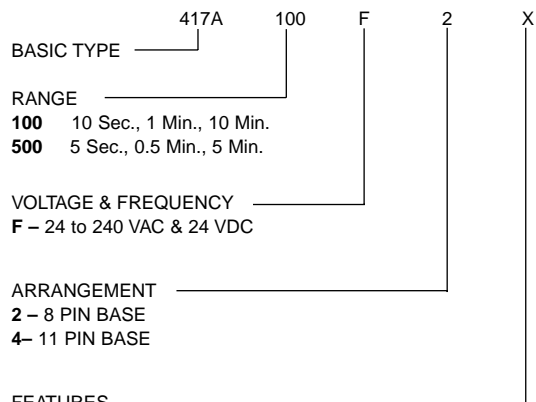
11 PIN SURFACE/DIN SOCKET  
ATC P/N 00008258600

PANEL MOUNTING (UP TO .188 THICK)

Before starting your design, read the safety statement  
on the inside back cover of the ATC catalog.

## SERIES 417 TRUE OFF DELAY TIMER

### ORDERING CODE



BASIC TYPE

RANGE

**100** 10 Sec., 1 Min., 10 Min.  
**500** 5 Sec., 0.5 Min., 5 Min.

VOLTAGE & FREQUENCY

**F** – 24 to 240 VAC & 24 VDC

ARRANGEMENT

**2** – 8 PIN BASE  
**4** – 11 PIN BASE

FEATURES

**X** – STANDARD  
**R** – REMOTE  
**K** – SPECIAL

### ACCESSORIES

#### 8 PIN

- 0000-825-85-00** 8 Pin surface/DIN rail socket
- 0000-825-87-00** 8 Pin panel socket w/rear facing terminals
- 0319-261-45-00** Plug on socket kit (8 pin)
- 0405-320-02-00** Panel mounting bracket
- 0407-025-13-00** Hold down clips for 0000-825-85-00 socket

#### 11 PIN

- 0000-825-86-00** 11 Pin surface/DIN rail socket
- 0000-825-88-00** 11 Pin panel socket w/rear facing terminals
- 0314-260-07-00** Plug on socket kit (11 pin)
- 0405-320-02-00** Panel mounting bracket
- 0407-025-13-00** Hold down clips for 0000-825-86-00 socket