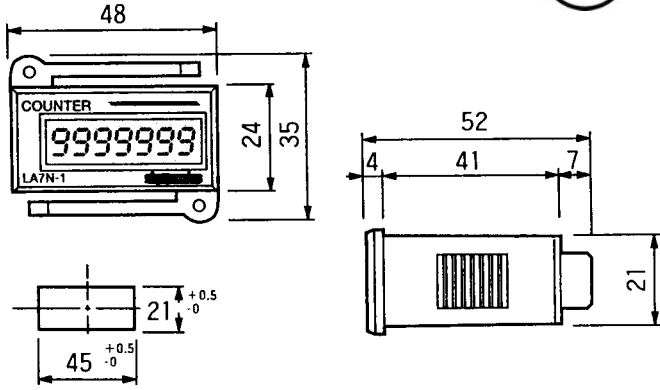


DIMENSIONS



Series **LA7N**

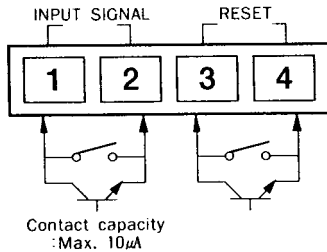
Self-Powered
LCD Counters



WIRING

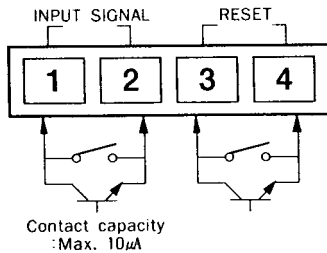
LA7N-2 and LA7N-2R

- Contact input type



LA7N-FR

- Contact input type



FEATURES

- LCD Display
- Self Powered By Lithium Battery
- Count Up To 10 Million
- Count Speed Up To 30 CPS
- Models For Count Input From Switch Closure or Voltage Input
- Compact Size and Price

ORDERING INFORMATION

Model Number	Reset Mode
LA7N-2	Remote
LA7N-FR	Front Button and Remote
LA7N-2R	Front Button and Remote

OPERATION

The LA7N product family consists of three (3) models; the LA7N-2 and LA7N-2R which require a switch closure for count input and LA7N-FR which employs a voltage input for count input. Models LA7N-FR and LA7N-2R are equipped with a button for reset on their front panel. Model LA7N-2 can only be reset by a remote switch. All models are extremely compact and are battery powered for a broad range of applications. The liquid crystal display is seven figure with zero blanking. Count input speed is 30 CPS and is accomplished through a simple switch closure which is wired to the terminals on the rear of the counter for models LA7N-2R and LA7N-2. Snap switch, push-button or toggle switch, or a reed switch device are common input switches used with these models. Model LA7N-FR requires a voltage count input of 24 to 240VAC or 6 to 240VDC. Since the counter is battery powered, it will display count continuously and requires no memory saving attachments or circuitry. Panel mounting hardware is supplied with the counter.

SPECIFICATIONS

NUMBER OF DIGITS

Seven

OPERATING POWER

Internal Lithium Battery
Est. 7 Yr. Life

RESET

Front Panel Button (2R and FR Models)
External Contact — All Models

DISPLAY

LCD, H 7mm, W 3mm,
Zero Blanking

COUNT INPUT

Switch Closure: —2R, —2 Models
Voltage: 24-240VAC, 6-240VDC; —FR Model

COUNT SPEED

30CPS: —2 and —2R Models
20CPS: —FR Model

TERMINATION

Rear Mounted Screws

MOUNTING

Front Panel

OPERATING TEMPERATURE

-10°C to 55°C

COUNTERS