



5708A

Multifunction Timer-Counter

Functions as a Timer, Counter, Frequency Meter or Tachometer

Functions

The 5708A model is an all in one unit that can be used as a timer, counter, frequency meter, and a tachometer. This unit contains 23 functions (15 timer, 6 counter, frequency meter, & tachometer), which are selectable through the set up menu. Engineered with a unique battery cover design for easy battery replacement, this unit needs no external power source.

- Functions as a Timer, Counter, Frequency Meter or Tachometer
- 8-digit High Resolution LCDI
- Front IP66 Water Protection
- 15 Selectable Display Options
- Battery Operated.



TIMER

Display Unit day/hour/min/sec

15 Display functions (Selectable)

COUNTER

Frequency Response is programmable for elimination of outside Switch key-bounce, and edge trigger.

<50 cps (rising and falling edge)

<100 cps (rising and falling edge)

<600 cps (rising and falling edge)

FREQUENCY METER

Response Frequency 2.5 Hz-1300 Hz

4-digit display 2.500-1300 Hz

TACHOMETER

RPM range 150 RPM-78,000 RPM

Max.5-Digit display 150-78000

MODEL NUMBER

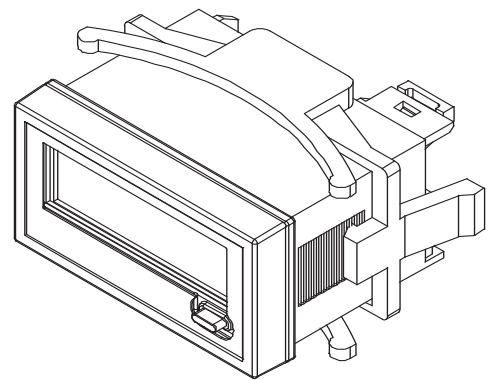
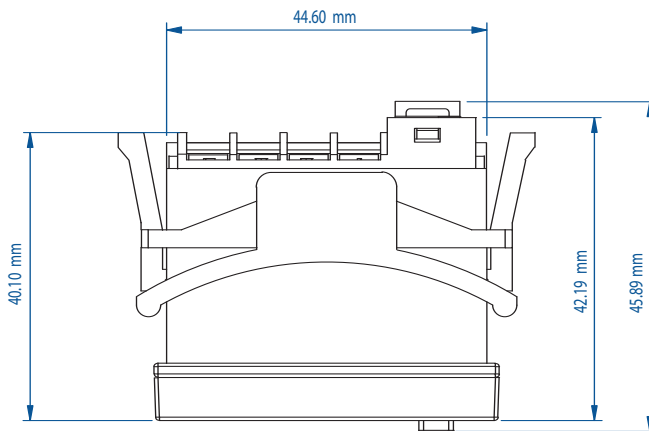
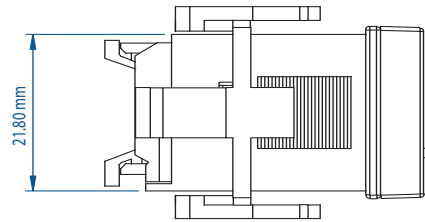
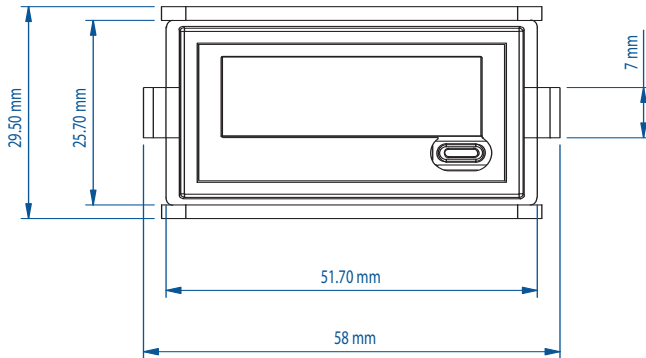
5708A

SPECIFICATIONS

Multifunction Timer-Counter

Reset	Front Panel / Remote	
Display	LCD (8mm high)	
Number of Digits	8	
Max.5-Digit display	150-78000	
Count Input	Switch Closure	Dry Contact
Operating Temperature	14° to 131° F (-10° to 55° C)	
Operating Power	LR44 Battery	
Mounting	1/32 Din	
Front Water Protection	IP66	
Screw Type	M3	
Weight	33 g	
Vibration	IEC 60068-2-6	
IEC 60068-4-2	4KV Air/2KV Contact	
IEC 60068-4-3	10V/m (80MHz To 1GMHz)	
IEC 60068-4-4	1KV Input	

Dimensions (mm)



Ordering Information

Multifunction Timer-Counter

5708A



ISE, Inc.

10100 Royalton Rd.
Cleveland, OH 44133 USA
tel (440) 237-3200
fax (440) 237-1744
<http://iseinc.com>