

TOWER & SIGNAL LIGHTS



SIGNAL LIGHTS

ML Series

Ø66mm

Rotating, Flashing and Strobe Models

- Mounting: threaded studs or pole (200mm), wall mount bracket available (order separately)
- Colors available: blue, green, red & yellow
- Incandescent (rotating or flashing) or Xenon bulb (strobe)
- Wire leads

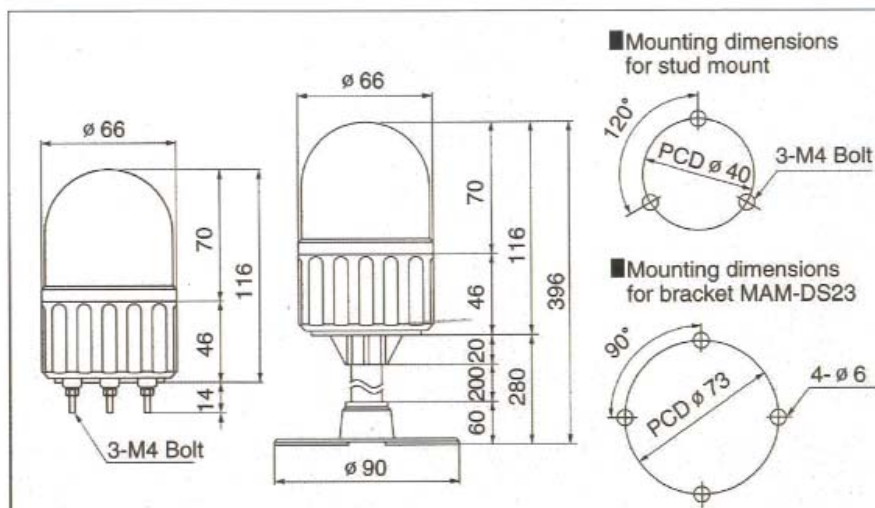


Model	Stud Mount	Pole Mount	Voltage	Current Draw	Wattage	Replacement Parts	
						Bulb	Lens
MLG / MLP Rotating Rotation rate 130 / minute	MLG-012-(□)	MLP-012-(□)	12 VDC	0.7A	8 watt	MAB-T15-S-012-08	LENS-MLG-(□) (Smooth lens)
	MLG-024-(□)	MLP-024-(□)	24 VDC	0.3A		MAB-T15-S-024-08	
	MLG-110-(□)	MLP-110-(□)	110 VAC	0.07A		MAB-T15-S-130-08	
	MLG-220-(□)	MLP-220-(□)	220 VAC	0.03A		MAB-T15-S-240-08	
MLGF / MLPF Flashing Flash rate 80 / minute	MLGF-012-(□)	MLPF-012-(□)	12 VDC	0.7A	8 watt	MAB-T15-S-012-08	LENS-MLGF/S-(□) (Prism lens)
	MLGF-024-(□)	MLPF-024-(□)	24 VDC	0.3A		MAB-T15-S-024-08	
	MLGF-110-(□)	MLPF-110-(□)	110 VAC	0.07A		MAB-T15-S-130-08	
	MLGF-220-(□)	MLPF-220-(□)	220 VAC	0.03A		MAB-T15-S-240-08	
MLGS / MLPS Strobe	MLGS-110-(□)	MLPS-110-(□)	110 VAC	0.22A	6 watt	MAB-STROBE-110-06	
	MLGS-220-(□)	MLPS-220-(□)	220 VAC	0.11A		MAB-STROBE-110-06	

(□) – Indicate color of light or lens: B, G, R or Y

DIMENSIONS

Unit: mm



Wall Mount Brackets

Plastic

MAM-DS30-BGE (Beige)
MAM-DS30-BLK (Black)



Steel MAM-DS26



Pole Mount



SIGNAL LIGHTS

Buzzer
80dB/m

AS Series

Ø86mm

*Rotating, Rotating with Buzzer, Flashing
and Strobe Models*

- Mounting: threaded studs, wall mount bracket available (order separately)
- Colors available: blue, green, red & yellow
- Incandescent (rotating or flashing) or Xenon bulb (strobe)
- Wire leads

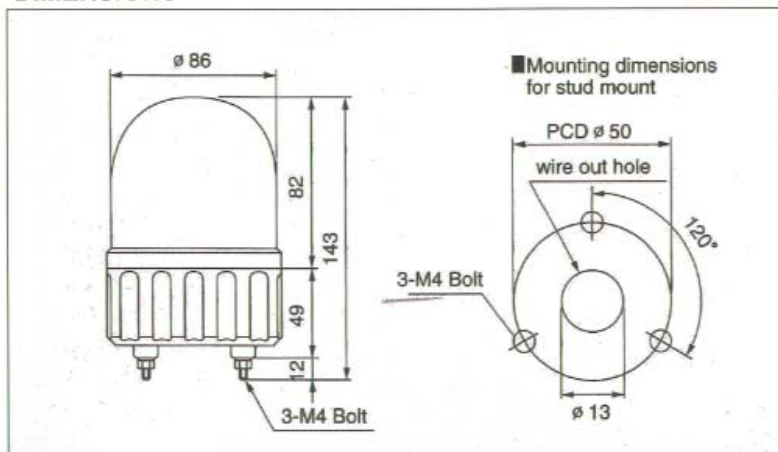


Model	Part Number	Voltage	Current Draw	Wattage	Replacement Parts	
					Bulb	Lens
ASG Rotating Mirror 130 / minute rotation rate	ASG-012-(□)	12 VDC	0.7A	8 watt	MAB-T15-S-012-08	LENS-ASG-(□) (smooth lens)
	ASG-024-(□)	24 VDC	0.3A		MAB-T15-S-024-08	
	ASG-110/220-(□)	110/220 VAC	0.03A	5 watt	MAB-T15-S-012-05	
ASGB Rotating Mirror with 80 dB Alarm	ASGB-012-(□)	12 VDC	0.7A	8 watt	MAB-T15-S-012-08	
	ASGB-024-(□)	24 VDC	0.3A		MAB-T15-S-024-08	
	ASGB-110/220-(□)	110/220 VAC	0.03A	5 watt	MAB-T15-S-012-05	
ASGF Flashing 80 / minute flash rate	ASGF-012-(□)	12 VDC	0.7A	8 watt	MAB-T15-S-012-08	LENS-ASGF-(□) (prism lens)
	ASGF-024-(□)	24 VDC	0.3A		MAB-T15-S-024-08	
	ASGF-110/220-(□)	110/220 VAC	0.03A	5 watt	MAB-T15-S-012-05	
ASGS Strobe	ASGS-110-(□)	110 VAC	0.22A	6 watt	MAB-STROBE-110-06 (Xenon bulb)	
	ASGS-220-(□)	220 VAC	0.11A			

(□) – Indicate color of light or lens: B, G, R or Y

DIMENSIONS

Unit: mm



Wall Mount Brackets



SIGNAL LIGHTS

Buzzer
80dB/m

AVG Series

Ø135mm

Rotating or Rotating with Buzzer

Ideal for large machines, construction sites, parking systems, etc.

- Mounting: threaded studs, wall mount bracket available (order separately)
- Colors available: blue, green, red & yellow
- Wire leads

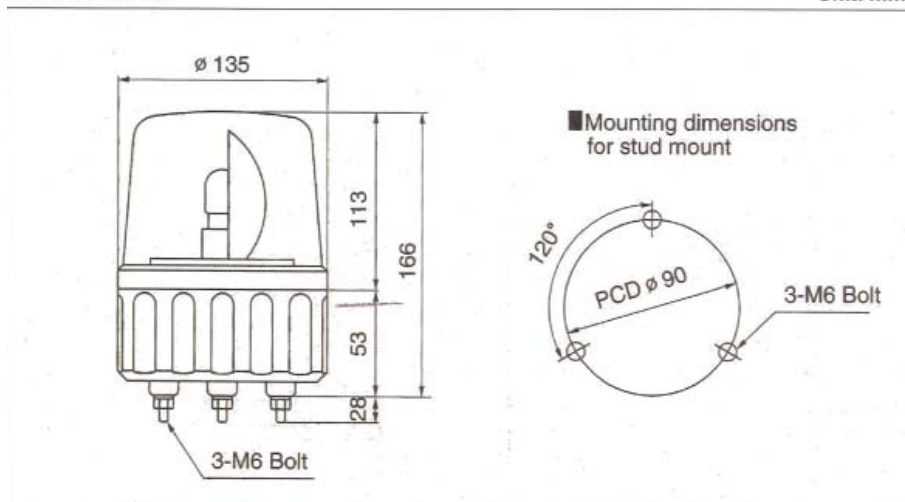


Model	Part Number	Voltage	Current Draw	Wattage	Replacement Parts	
					Bulb	Lens
AVG Rotating mirror 150 / minute rotation rate	AVG-012-(□)	12 VDC	2.08A	25 watt	MAB-T15-D-012-25	LENS-AVG-(□)
	AVG-024-(□)	24 VDC	1.04A		MAB-T15-D-024-25	
	AVG-110-(□)	110 VAC	0.22A		MAB-T15-D-130-25	
	AVG-220-(□)	220 VAC	0.11A		MAB-T15-D-240-25	
AVGB Rotating mirror with 80 dB audible alarm	AVGB-012-(□)	12 VDC	2.08A		MAB-T15-D-012-25	
	AVGB-024-(□)	24 VDC	1.04A		MAB-T15-D-024-25	
	AVGB-110-(□)	110 VAC	0.22A		MAB-T15-D-130-25	
	AVGB-220-(□)	220 VAC	0.11A		MAB-T15-D-240-25	

(□) – Indicate color of lens: B, G, R or Y

DIMENSIONS

Unit: mm



Wall Mount Bracket

Steel MAM-DS27



SIGNAL LIGHTS

Buzzer
100dB/m

MSGS Series

Ø125mm

Rotating Tower Light with Audible Alarms

Ideal for large machines, construction sites, parking systems, etc.

- Magnified lens for increased visibility
- Selectable audio sounds: melody, two tone and siren (100dB)
- Mounting: threaded studs
- Colors available: clear, blue, green, red & yellow
- Rotation rate 150 / minute

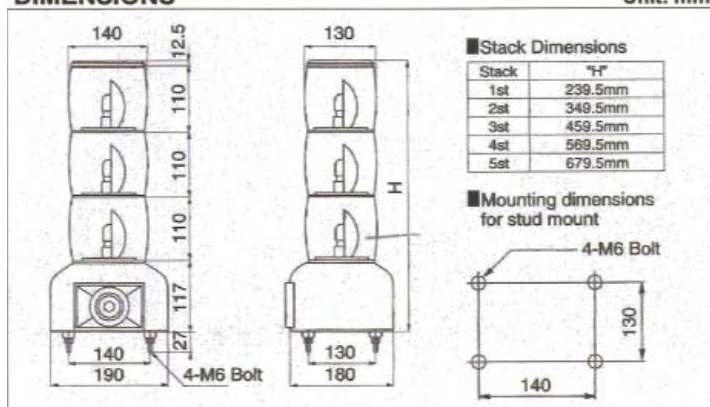


Stack	Model	Voltage	Current Draw	Wattage	Replacement Parts	
					Bulb	Lens
1 Stack-R	MSGS-012-1	12 VDC	2.08A	25 watt	MAB-T15-D-012-25	LENS-MSGS-(□)
	MSGS-024-1	24 VDC	1.04A		MAB-T15-D-024-25	
	MSGS-110-1	110 VAC	0.23A		MAB-T15-D-012-25	
	MSGS-220-1	220 VAC	0.11A		MAB-T15-D-012-25	
2 Stack-RG	MSGS-012-2	12 VDC	4.16A		MAB-T15-D-012-25	
	MSGS-024-2	24 VDC	2.08A		MAB-T15-D-024-25	
	MSGS-110-2	110 VAC	0.46		MAB-T15-D-012-25	
	MSGS-220-2	220 VAC	0.22A		MAB-T15-D-012-25	
3 Stack-RYG	MSGS-012-3	12 VDC	6.24A		MAB-T15-D-012-25	
	MSGS-024-3	24 VDC	3.12A		MAB-T15-D-024-25	
	MSGS-110-3	110 VAC	0.69A		MAB-T15-D-012-25	
	MSGS-220-3	220 VAC	0.33A		MAB-T15-D-012-25	
4 Stack-RYGB	MSGS-012-4	12 VDC	8.32A		MAB-T15-D-012-25	
	MSGS-024-4	24 VDC	4.16A		MAB-T15-D-024-25	
	MSGS-110-4	110 VAC	0.92A		MAB-T15-D-012-25	
	MSGS-220-4	220 VAC	0.44A		MAB-T15-D-012-25	
5 Stack-RYGBC	MSGS-012-5	12 VDC	10.40A		MAB-T15-D-012-25	
	MSGS-024-5	24 VDC	5.20A		MAB-T15-D-024-25	
	MSGS-110-5	110 VAC	1.15A		MAB-T15-D-012-25	
	MSGS-220-5	220 VAC	0.55A		MAB-T15-D-012-25	

(□) – Indicate color of lens: B, G, R or Y

DIMENSIONS

Unit: mm



TOWER LIGHTS



IP 56

Buzzer
80dB/m

MT5C / 8C Series

Ø56mm & Ø85mm

Each Stack Jumper Selectable for
Steady or Flash

- Prism-cut lenses for superior light distribution
- Mounting: Surface, pole or wall mount (order separately)
- One to five light stacks
- Buzzer kit available
- Colors available: blue, clear, green, red & yellow
- IP 56 / UL NEMA 12, 3R
- Screw terminal or wire leads

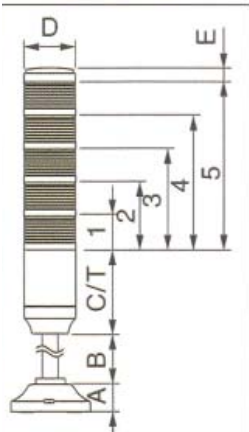


Stacks	Ø56mm	Ø85mm	Voltage	Current Draw	Wattage	Replacement Parts	
						Bulb	Lens
1 Stack	MT5C1A(Δ)-R	MT8C1A(Δ)-R	24 VDC/AC	0.4A	10 watt	MAB-T15-D-024-10	56 mm MAL-5(□)
	MT5C1B(Δ)-R	MT8C1B(Δ)-R	120 VAC	0.08A		MAB-T15-D-120-10	
	MT5C1C(Δ)-R	MT8C1C(Δ)-R	240 VAC	0.04A		MAB-T15-D-240-10	
2 Stack	MT5C2A(Δ)-RG	MT8C2A(Δ)-RG	24 VDC/AC	0.8A		MAB-T15-D-024-10	
	MT5C2B(Δ)-RG	MT8C2B(Δ)-RG	120 VAC	0.16A		MAB-T15-D-120-10	
	MT5C2C(Δ)-RG	MT8C2C(Δ)-RG	240 VAC	0.08A		MAB-T15-D-240-10	
3 Stack	MT5C3A(Δ)-RYG	MT8C3A(Δ)-RYG	24 VDC/AC	1.2A		MAB-T15-D-024-10	85mm MAL-8(□)
	MT5C3B(Δ)-RYG	MT8C3B(Δ)-RYG	120 VAC	0.24A		MAB-T15-D-120-10	
	MT5C3C(Δ)-RYG	MT8C3C(Δ)-RYG	240 VAC	0.12A		MAB-T15-D-240-10	
4 Stack	MT5C4A(Δ)-RYGB	MT8C4A(Δ)-RYGB	24 VDC/AC	1.6A		MAB-T15-D-024-10	
	MT5C4B(Δ)-RYGB	MT8C4B(Δ)-RYGB	120 VAC	0.32A		MAB-T15-D-120-10	
	MT5C4C(Δ)-RYGB	MT8C4C(Δ)-RYGB	240 VAC	0.16A		MAB-T15-D-240-10	
5 Stack	MT5C5A(Δ)-RYGBC	MT8C5A(Δ)-RYGBC	24 VDC/AC	2.0A		MAB-T15-D-024-10	
	MT5C5B(Δ)-RYGBC	MT8C5B(Δ)-RYGBC	120 VAC	0.4A		MAB-T15-D-120-10	
	MT5C5C(Δ)-RYGBC	MT8C5C(Δ)-RYGBC	240 VAC	0.2A		MAB-T15-D-240-10	
Buzzer Kit	MPZ-56A	MPZ-85A	24 VDC/AC	Sound Level 80dB (85mA)	(□) – Indicate color of lens: B, C, G, R, or Y		
	MPZ-56B	MPZ-85B	120 VAC				
	MPZ-56C	MPZ-85C	240 VAC				

(Δ) – Indicate L – Leads out or T - Terminal

DIMENSIONS

Unit: mm



(Unit: mm)	MT5C	MT8C
A	29	29
B	200	200
C	95	108
•T	173	188
D	56	85
E	15	15
1	68	68
2	136	136
3	204	204
4	272	272
5	340	340

♦ Terminal board version

MOUNTING OPTIONS (see page 11)

Base		Pole	
MAM-B070	Surface mount (plastic)	MAP-0022	22mm pole
		MAP-0240	240mm pole
MAM-DS23-20	Surface mount (aluminum)	MAP-0750	750mm pole
		MAP-1000	1000mm pole
MAM-DS25	90° bracket (steel)	MAP-M043	43mm pole with 1 nut
MAM-DS30-BLK	90° bracket (plastic)	MAP-M240	240mm pole with 2 nuts



♦ 10100 Royalton Road • Cleveland OH 44133 • (440) 237-3200 • Fax (440) 237-1744
 ♦ 417 Tomahawk Drive • Maumee OH 43537 • (419) 893-3330 • Fax (419) 893-2151
 ♦ Web site: www.iseinc.com • E-mail: isetoledo@iseinc.com • Toll Free: (877) 893-3330

TOWER LIGHTS



IP 56

Buzzer
80dB/m



PRE Series

Ø56mm

LED Steady and Flashing (flash rate 80 / minute)

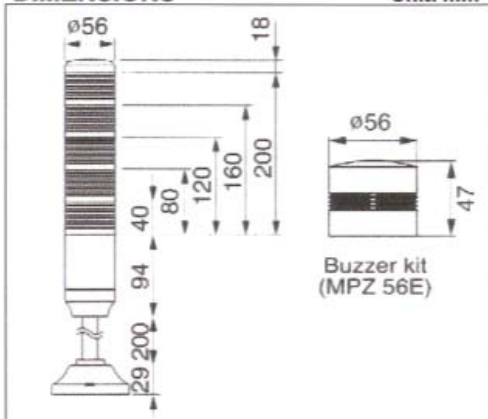
- LED light provides long life and reliability
- Prism-cut lenses for even light distribution
- Mounting: surface pole or wall mount (order separately)
- One to five light stacks
- Colors available: blue, clear, green, red & yellow
- Buzzer kit available (MPZ-56E):
Sound level 80 dB (85mA)
- Wire leads



Stacks	Steady	Flashing	Voltage	Current Draw	Replacement Parts	
					LED	Lens
1 Stacks	PRE-101-R	PREF-101-R	12 VDC/AC	54mA	PRELED-5(□)	PEL-5(□)
	PRE-102-R	PREF-102-R	24 VDC/AC	28mA		
	PRE-110-R	PREF-110-R	120 VAC	25mA		
	PRE-120-R	PREF-120-R	240 VAC	25mA		
2 Stacks	PRE-201-RG	PREF-201-RG	12 VDC/AC	109mA		
	PRE-202-RG	PREF-202-RG	24 VDC/AC	62mA		
	PRE-210-RG	PREF-210-RG	120 VAC	57mA		
	PRE-220-RG	PREF-220-RG	240 VAC	57mA		
3 Stacks	PRE-301-RYG	PREF-301-RYG	12 VDC/AC	169mA		
	PRE-302-RYG	PREF-302-RYG	24 VDC/AC	102mA		
	PRE-310-RYG	PREF-310-RYG	120 VAC	91mA		
	PRE-320-RYG	PREF-320-RYG	240 VAC	91mA		
4 Stacks	PRE-401-RYGB	PREF-401-RYGB	12 VDC/AC	223mA		
	PRE-402-RYGB	PREF-402-RYGB	24 VDC/AC	136mA		
	PRE-410-RYGB	PREF-410-RYGB	120 VAC	124mA		
	PRE-420-RYGB	PREF-420-RYGB	240 VAC	124mA		
5 Stacks	PRE-501-RYGBC	PREF-501-RYGBC	12 VDC/AC	275mA		
	PRE-502-RYGBC	PREF-502-RYGBC	24 VDC/AC	169mA		
	PRE-510-RYGBC	PREF-510-RYGBC	120 VAC	155mA		
	PRE-520-RYGBC	PREF-520-RYGBC	240 VAC	155mA		
Buzzer Kit (for 24-240 volt only)	MPZ-56E	Sound level 80dB (85mA)	(□) – Indicate color of LED or Lens: B, C, G, R, or Y			

DIMENSIONS

Unit: mm



MOUNTING OPTIONS (see page 11)

Base		Pole	
MAM-B070	Surface mount (plastic)	MAP-0022	22mm pole
		MAP-0240	240mm pole
MAM-DS23-20	Surface mount (aluminum)	MAP-0750	750mm pole
		MAP-1000	1000mm pole
MAM-DS25	90° bracket (steel)	MAP-M043	43mm pole with 1 nut
MAM-DS30-BLK	90° bracket (plastic)	MAP-M240	240mm pole with 2 nuts



♦ 10100 Royalton Road • Cleveland OH 44133 • (440) 237-3200 • Fax (440) 237-1744
 ♦ 417 Tomahawk Drive • Maumee OH 43537 • (419) 893-3330 • Fax (419) 893-2151
 ♦ Web site: www.iseinc.com • E-mail: isetoledo@iseinc.com • Toll Free: (877) 893-3330

TOWER LIGHTS



IP 56



PME Series

Ø45mm

LED Steady and Flashing (flash rate 80 / minute)

- LED light provides long life and reliability
- Prism-cut lenses for even light distribution
- Mounting: surface, pole or wall mount (order separately)
- One to five light stacks
- Colors available: blue, clear, green, red & yellow

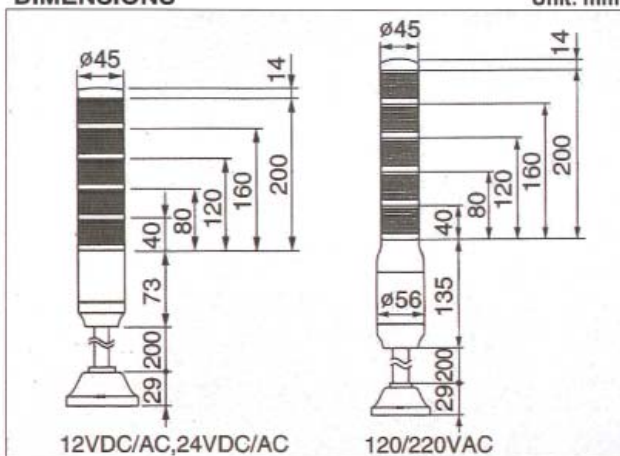


Stacks	Steady	Flashing	Voltage	Current Draw	Replacement Parts	
					LED	Lens
1 Stack	PME-101-R	PMEF-101-R	12 VDC/AC	41mA	PMELED-4(□)	PML-4(□)
	PME-102-R	PMEF-102-R	24 VDC/AC	27mA		
	PME-110-R	PMEF-110-R	100-220 VAC	28mA		
2 Stack	PME-201-RG	PMEF-201-RG	12 VDC/AC	89mA		
	PME-202-RG	PMEF-202-RG	24 VDC/AC	57mA		
	PME-210-RG	PMEF-210-RG	100-220 VAC	60mA		
3 Stack	PME-301-RYG	PMEF-301-RYG	12 VDC/AC	149mA		
	PME-302-RYG	PMEF-302-RYG	24 VDC/AC	95mA		
	PME-310-RYG	PMEF-310-RYG	100-220 VAC	99mA		
4 Stack	PME-401-RYGB	PMEF-401-RYGB	12 VDC/AC	204mA		
	PME-402-RYGB	PMEF-402-RYGB	24 VDC/AC	125mA		
	PME-410-RYGB	PMEF-410-RYGB	100-220 VAC	131mA		
5 Stack	PME-501-RYGBC	PMEF-501-RYGBC	12 VDC/AC	240mA		
	PME-502-RYGBC	PMEF-502-RYGBC	24 VDC/AC	155mA		
	PME-510-RYGBC	PMEF-510-RYGBC	100-220 VAC	163mA		

(□) – Indicate color of LED or Lens: B, C, G, R, or Y

DIMENSIONS

Unit: mm



MOUNTING OPTIONS (see page 11)

Base		Pole	
MAM-B070	Surface mount (plastic)	MAP-0022	22mm pole
		MAP-0240	240mm pole
MAM-DS23-20	Surface mount (aluminum)	MAP-0750	750mm pole
		MAP-1000	1000mm pole
MAM-DS25	90° bracket (steel)	MAP-M043	43mm pole with 1 nut
MAM-DS30-BLK	90° bracket (plastic)	MAP-M240	240mm pole with 2 nuts

TOWER LIGHTS

IP 56



PAE Series

Ø25mm

LED Steady and Flashing

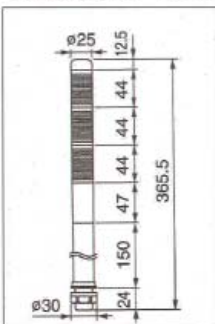
- LED light provides long life and reliability
- Prism-cut lenses for even light distribution
- Mounting: straight pole or 90° wall mount
- One to five light stacks
- Colors available: blue, clear, green, red & yellow
- Wire leads



Stack	Mounting	Steady	Flashing	Voltage	Current Draw
1 Stack	Pole	PAEM(Δ)-101-R	PAEFM(Δ)-101-R	12 VDC/AC	30mA
	90° Bracket	PAER(Δ)-101-R	PAEFR(Δ)-101-R		
	Pole	PAEM(Δ)-102-R	PAEFM(Δ)-102-R	24 VDC/AC	25mA
	90° Bracket	PAER(Δ)-102-R	PAEFR(Δ)-102-R		
2 Stack	Pole	PAEM(Δ)-201-RG	PAEFM(Δ)-201-RG	12 VDC/AC	65mA
	90° Bracket	PAER(Δ)-201-RG	PAEFR(Δ)-201-RG		
	Pole	PAEM(Δ)-202-RG	PAEFM(Δ)-202-RG	24 VDC/AC	60mA
	90° Bracket	PAER(Δ)-202-RG	PAEFR(Δ)-202-RG		
3 Stack	Pole	PAEM(Δ)-301-RYG	PAEFM(Δ)-301-RYG	12 VDC/AC	100mA
	90° Bracket	PAER(Δ)-301-RYG	PAEFR(Δ)-301-RYG		
	Pole	PAEM(Δ)-302-RYG	PAEFM(Δ)-302-RYG	24 VDC/AC	90mA
	90° Bracket	PAER(Δ)-302-RYG	PAEFR(Δ)-302-RYG		
4 Stack	Pole	PAEM(Δ)-401-RYGB	PAEFM(Δ)-401-RYGB	12 VDC/AC	135mA
	90° Bracket	PAER(Δ)-401-RYGB	PAEFR(Δ)-401-RYGB		
	Pole	PAEM(Δ)-402-RYGB	PAEFM(Δ)-402-RYGB	24 VDC/AC	120mA
	90° Bracket	PAER(Δ)-402-RYGB	PAEFR(Δ)-402-RYGB		
5 Stack	Pole	PAEM(Δ)-501-RYGBC	PAEFM(Δ)-501-RYGBC	12 VDC/AC	170mA
	90° Bracket	PAER(Δ)-501-RYGBC	PAEFR(Δ)-501-RYGBC		
	Pole	PAEM(Δ)-502-RYGBC	PAEFM(Δ)-502-RYGBC	24 VDC/AC	150mA
	90° Bracket	PAER(Δ)-502-RYGBC	PAEFR(Δ)-502-RYGBC		

(Δ) Indicate G - 51mm pole or P - 150mm pole

DIMENSIONS Unit: mm



Mounting Options (see page 11)

Straight Mount		90° Mount	
MAP-0051	25 x 51mm pole	MAP-0051	25 x 51mm pole
MAP-0150	25 x 150mm pole	MAP-0150	25 x 150mm pole
MAM-B025	Threaded adapter with nut	MAM-DS40	90° plastic wall bracket



♦ 10100 Royalton Road • Cleveland OH 44133 • (440) 237-3200 • Fax (440) 237-1744
 ♦ 417 Tomahawk Drive • Maumee OH 43537 • (419) 893-3330 • Fax (419) 893-2151
 ♦ Web site: www.iseinc.com • E-mail: isetoledo@iseinc.com • Toll Free: (877) 893-3330

TOWER LIGHTS

IP 65

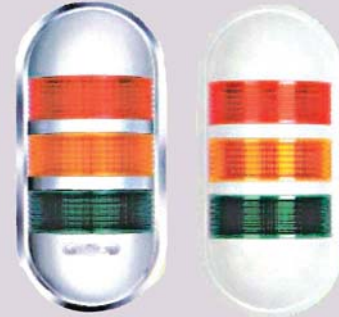
Buzzer
85dB/m

PWE Series

Ø40mm

Steady and Flashing Models

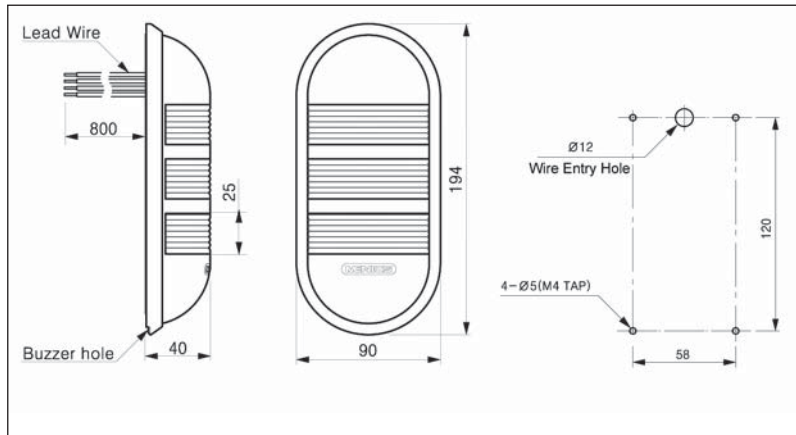
- 90x194x40mm Low profile
- Chrome or beige-colored body
- High intensity LED / Wide viewing angle
- Mounting: wall mounted, vertical or horizontal
- Vibration and moisture resistant
- One to three light stacks
- Colors available: green, red & yellow
- Buzzer available 85dB
- IP 65
- Wire leads



Stacks	Steady	Steady/Buzzer	Flashing	Flashing/Buzzer	Voltage	Current Draw
1 Stacks	PWE-102-R	PWEB-102-R	PWEF-102-R	PWEZ-102-R	24VAC/VDC	28mA
	PWE-110-R	PWEB-110-R	PWEF-110-R	PWEZ-110-R	90-240VAC	30mA
2 Stacks	PWE-202-RG	PWEB-202-RG	PWEF-202-RG	PWEZ-202-RG	24VAC/VDC	28mA
	PWE-210-RG	PWEB-210-RG	PWEF-210-RG	PWEZ-210-RG	90-240VAC	30mA
3 Stacks	PWE-302-RYG	PWEB-302-RYG	PWEF-302-RYG	PWEZ-302-RYG	24VAC/VDC	28mA
	PWE-310-RYG	PWEB-310-RYG	PWEF-310-RYG	PWEZ-310-RYG	90-240VAC	30mA

DIMENSIONS

Unit: mm



Accessories

Mounting Options

MOUNTING BASE & BRACKET ASSEMBLY



MAM-DS23-20
MAP-0240 / 0750 / 1000

MAM-DS25
MAP-M240

MAM-DS25
MAM-B025
MAP-0240

MAM-B070
MAP-0022

MAM-B090
MAP-0022

MAM-B070
MAP-0240

MAM-B090
MAP-0240

MOUNTING POLES



MAP25-0051
MAP25-0150

MAP-0022

MAP-M043

MAP-M240

MAP-0240 / 0750 / 1000

WALL MOUNT BRACKET



Plastic

Plastic

Steel

Steel

Steel

Steel

MAM-DS30-BGE
MAM-DS30-BLK

MAM-DS40-BGE
MAM-DS40-BLK

MAM-DS25

MAM-DS26

MAM-DS27

MAM-DS28

BASE MOUNT



Aluminum

Aluminum

Plastic

Plastic

Plastic

MAM-DS23-20

MAM-DS24-20

MAM-B025

MAM-B070

MAM-B090





10100 Royalton Road • Cleveland, Ohio 44133
(440) 237-3200 • Fax (440) 237-1744

417 Tomawk Drive • Maumee, Ohio 43537
(419) 893-3330 • Fax (419) 893-2151

Toll Free: (877) 893-3330 • Web site: www.iseinc.com • E-mail: isetoledo@iseinc.com