

KB-5BA

80dB Buzzers



Mounting Cutout
1.00" Dia.

KH-402

65dB Buzzers



Mounting Cutout
Model K402: 1.18" Dia.
Model K4025: 1.00" Dia.

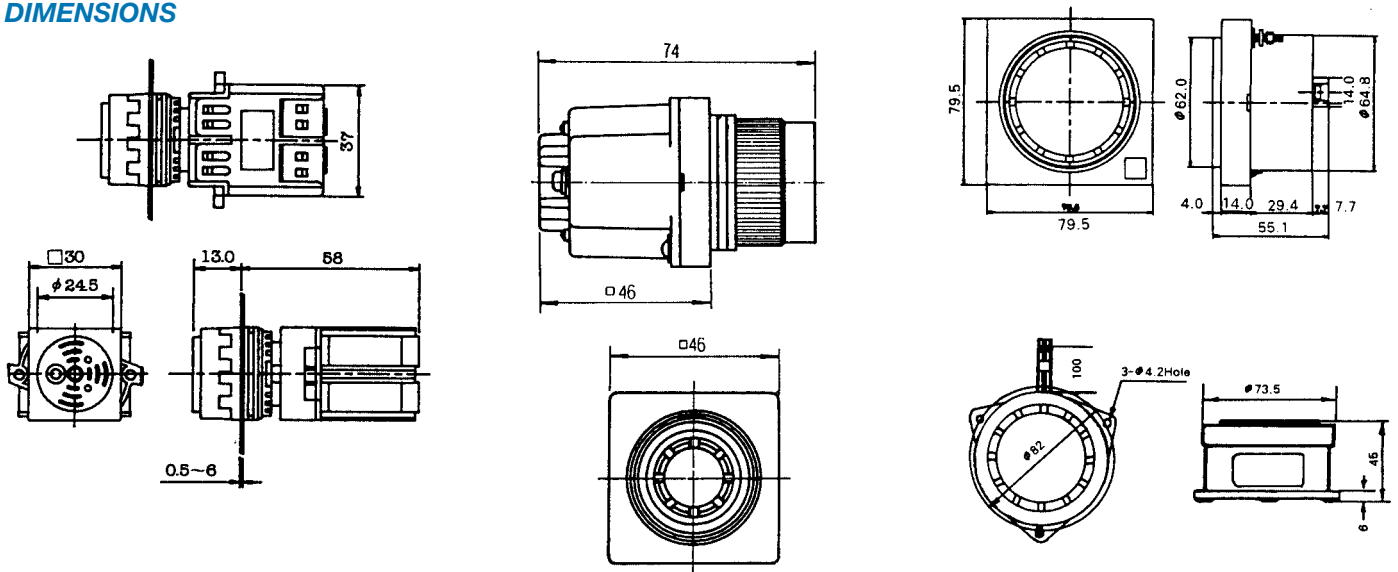
KMB

90dB Buzzers



Mounting Cutout
2.70" Dia.

DIMENSIONS



ORDERING INFORMATION

Model Number	Voltage	Operation	Decibel Rating	Bushing Size	Model Number	Voltage	Operation	Decibel Rating	Bushing Size
KB-5BADS	12-24Vdc	Steady or Pulse	80dB	25mm dia.	KH-4025-1	110Vac	Steady	65dB	25mm dia.
KB-5BAFS	90-240Vac	Steady or Pulse	80dB	25mm dia.	KH-4025D-12	12Vdc	Steady	65dB	25mm dia.
KH-402-1	110Vac	Steady	65dB	30mm dia.	KH-4025D-24	24Vdc	Steady	65dB	25mm dia.
KH-402D-12	12Vdc	Steady	65dB	30mm dia.	KH-4025F-12	12Vdc	Pulse	65dB	25mm dia.
KH-402D-24	24Vdc	Steady	65dB	30mm dia.	KH-4025F-24	24Vdc	Pulse	65dB	25mm dia.
KH-402F-12	12Vdc	Pulse	65dB	30mm dia.	KMB-N80A	110-120Vac	Steady	90dB	66mm dia.
KH-402F-24	24Vdc	Pulse	65dB	30mm dia.	KMB-P80A	110-120Vac	Steady	90dB	66mm dia.

REPLACEMENT BULBS FOR ATC LIGHT PRODUCTS

Lights	12VDC	24VDC	24VAC	110VAC	220VAC
HYT Models	ST-BLB 12-B	ST-BLB 24-B	ST-BLB 24-B	ST-BLB 110-B5	ST-BLB 220-B5
KA Models	KA BULB 12 C	KA BULB 24 C	KA BULB 24 C	KA BULB 110 C	KA BULB 220 C
T45 Models	T45 BULB-12-5W	T45 BULB-24-5W	T45 BULB 24-5W	T45 BULB-110-5W	T45 BULB-240-5W
T56 Models	N/A	T56 BULB-24-8W	N/A	T56 BULB-110-8W	N/A
TF Models	ST-BLB 12-B	ST-BLB 24-B	N/A	ST-BLB 12-B	ST-BLB 12-B
TP Models	ST-BLB 12-B	ST-BLB 24-B	N/A	ST-BLB 12-B	ST-BLB 12-B
TR Models	ST-BLB 12-B	ST-BLB 24-B	N/A	ST-BLB 12-B	ST-BLB 12-B
TR125 Models	N/A	N/A	N/A	TR125 BULB-110	N/A
TX Models	ST-BLB 12-B	ST-BLB 24-B	N/A	ST-BLB 12-B	ST-BLB 12-B