

Model LE3S

**1/16 DIN, LCD
Multi-Function
Multi-Range
Digital Timer**



SPECIFICATIONS (All Models)

TIMING RANGES

0.01 Sec. to 9.99 Sec.
0.1 Sec. to 99.9 Sec.
1 Sec. to 999 Sec.
0.1 Min. to 99.9 Min.
1 Min. to 999 Min.
0.1 Hr. to 99.9 Hr.
1 Hr. to 999 Hr.
10 Hr. to 9990 Hr.
0 Min. 1 Sec. to 9 Min. 59 Sec.
0 Hr. 1 Min. to 9 Hr. 59 Min.

TIME SETTING

Front Panel Pushwheel Switch

TIME REPEAT ACCURACY

±0.005% Timing
±0.03 Sec. for Input Signals
±0.05 Sec. on Power Up

CONTROL VOLTAGE INITIATE TIME

0.05 Sec.

MEMORY

Non-Volatile Circuitry

POWER CONSUMPTION

5 VA

RELAY MECHANICAL LIFE

10 Million

DISPLAY

LCD Numeric & Graphic

TERMINATION

8 Pin Plug-In

MOUNTING

Front Panel or Plug-In Base OPERATING

TEMPERATURE

-10 to +55 DEG C

UL & C-UL (Canada) RECOGNIZED

File No. EI 65828

FEATURES

- Operating Voltage Flexibility (100-240Vac or 24-240Vdc)
- Ten Timing Modes
- Ten Timing Ranges
- Three Digit Digital Display
- 0-100% Bar Graph Display
- Graphic Relay Contact Display
- 5 Amp Relay Contacts
- 1/16 DIN Front Panel
- Front Panel Mode/Range Selections
- Economically Priced
- UL & C-UL, CE Recognized LE3S Only
- Similar in Appearance and Size To Temperature Control T3S

LE3S ONLY

TIMING MODES

On-Delay - Sustained Start
Interval Delay - Sustained Start
On-Delay Momentary Start
Repeat Cycle - Off Time First - Sustained Start
Repeat Cycle - On Time First - Momentary Start
Repetitive Pulse - Momentary Start
Off Delay
On/Off Delay
One Shot Output
Time Accumulation

RESET/START/INHIBIT INPUT

TIME 0.02 Sec. Min.

SELF RESET

30mS

OPERATING POWER

90-264Vac, 50/60 Hz., 24-240Vdc

RELAY OUTPUT

SPDT, 5A, 250 Vac

LE3SB ONLY

TIMING MODE

On-Delay-Sustained Start

SELF RESET

10 mS

OPERATING POWER

110 Vac; Optional—220Vac

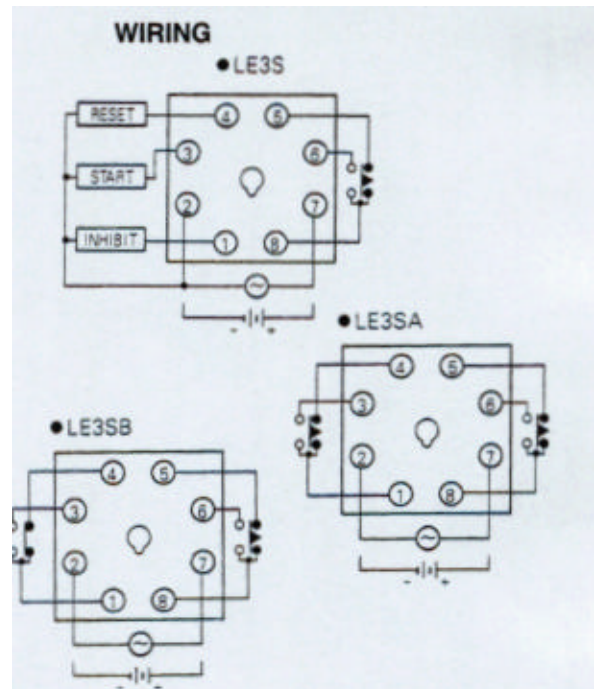
RELAY OUTPUT

1 SPDT Timed
1 SPDT Instant

OPERATION

The LE3S is a universal digital timer that features excellent application flexibility with 10 timing ranges and 10 counting modes that are front panel, user selectable. The LCD provides the operator a wide range of information; output relay contact status, time remaining during timing cycle, a bar graph that indicates percentage of elapsed time in the cycle, and time unit. The time preset is indicated on the pushwheel switches as is the time range and timing mode. The universal AC/DC input allows the LE3S to be powered by AC voltage from 90 to 240 Vac (50/60 Hz.) or DC voltage from 24 to 240Vdc. The 1/16 DIN size timer can be front panel mounted using supplied panel mount clips or it can be base mounted using an appropriate Tenor 8-pin socket.

Two ON-Delay only models are also available; Model LE3SA which provides a DPDT timed output, and Model LE3SB which provides a SPDT timed output and a SPDT instantaneous output.



LE3SA ONLY

TIMING MODE

ON-Delay-Sustained Start

SELF RESET

10 mS

OPERATING POWER

110Vac; Optional— 220 Vac

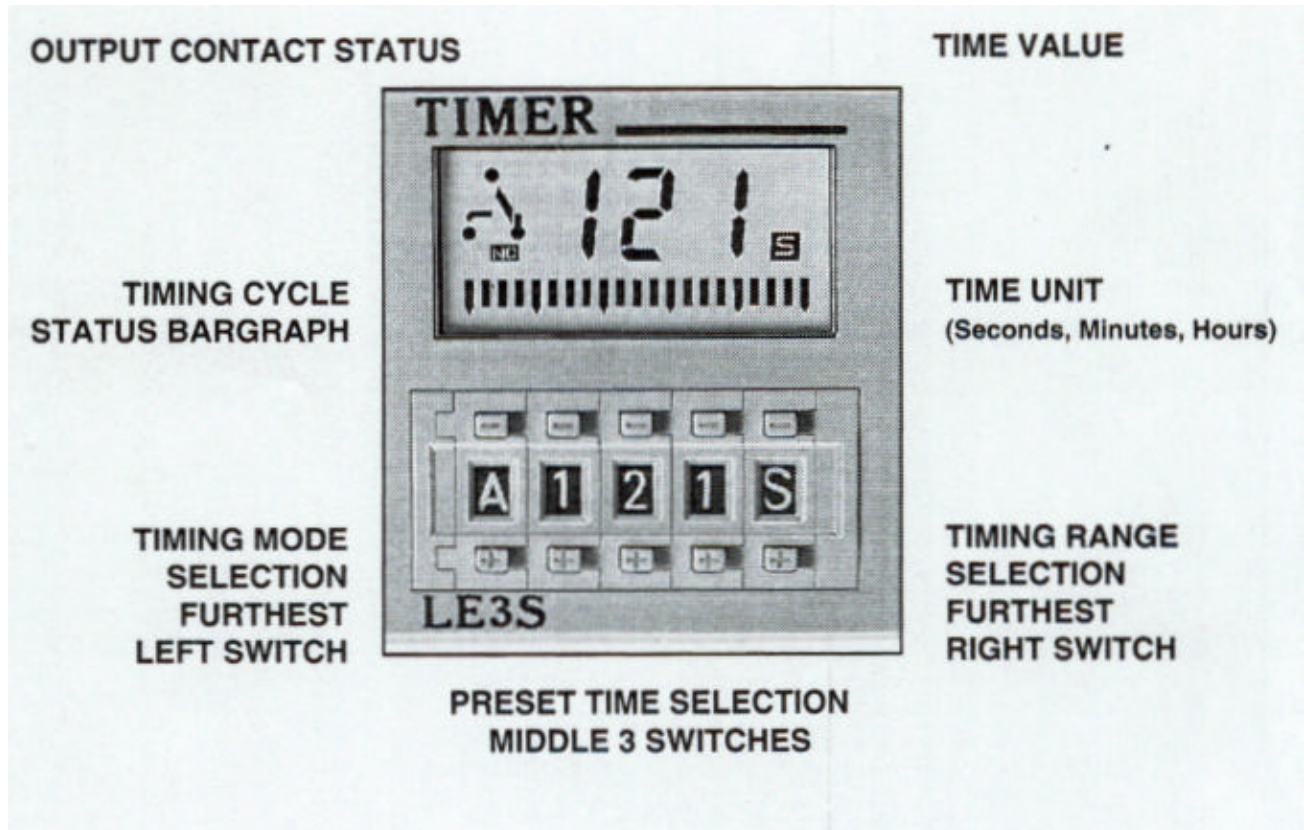
RELAY OUTPUT

2 SPDT Timed

Part Number	Description
LE3S	Timer, Multi-Function, LCD 1/16 DIN
LE3SA-110	Timer, ON-Delay, 110VAC*, 2 DPDT Timed Outputs
LE3SB-110	Timer, ON-Delay, 110VAC*, 1 SPDT Timed & 1 SPDT Inst. output
600-3-3011	Socket, 8 Pin Panel Mounting, Bottom Screw
600-3-0013	Socket, 8 Pin, DIN Rail, Top Screw

*220VAC available

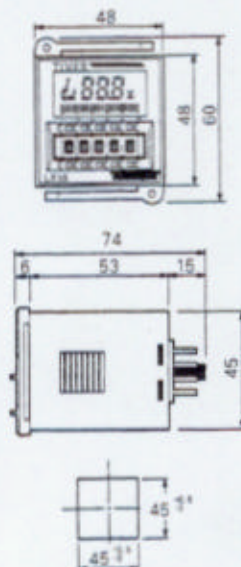
All LE3S Programming Is Accomplished On The Front Panel



TIMING MODES (No Switch LE3SA & B)

- A On-Delay - Sustained Start - Resets With Either Reset Input or Removal of Start
- B Interval Delay - Sustained Start - Resets With Either Reset Input or Removal of Start
- C On-Delay - Momentary or Sustained Start Resets Only With Reset Input
- D Repeat Cycle Off Time First - Sustained Start - Resets With Either Reset Input or Removal of Start
- E Repeat Cycle - On Time First -Momentary or Sustained Start -Reset Only With Reset input
- F Repetitive Pulse - Pulse Output 0.3 Sec. - Sustained or Momentary Start - Reset Only With Reset Input
- H Off Delay/Reset With Reset Input or By Applying Start
- K On/Off Delay - Really An Interval Function Trtggered By Applying Start and Again By Removing Start. Reset Only With Reset Input
- L One Shot Output (Interval) - Sustained or Momentary Start - Reset With Reset Input or By Applying Start.
- N Time Accumulation With Start Input -Reset Only With Reset Input

DIMENSIONS



Time Ranges	
0.01 s	0.01 TO 9.99 Sec.
0.1 s	0.1 to 99.9 Sec.
S	1-999 Sec.
0.1 m	0.1 to 99.9 Min.
M	1-99.9 Min.
0.1 h	0.1 to 99.9 Hours
H	1 to 999 Hours
X10 h	10 to 9990 Hours
m/s	1 sec. To 9 Min. - 59 Sec.
h/m	1 Min. to 9 Hrs. - 59 Min.

<http://ISEinc.com>

ISE, Inc.

10100 Royalton Rd.
Cleveland, OH 44133 USA
Tel: (440) 237-3200 • Fax: (440) 237-1744

Toledo, OH area:
417 Tomahawk Dr.
Maumee, OH 43537
Tel: (419) 893-3330 • Fax: (419) 893-2151