



Multi-Function Multi-Range Timer

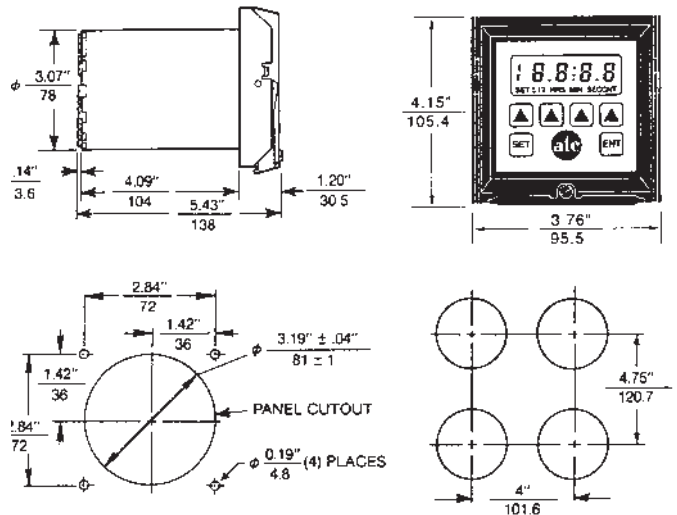
The **ATC 652** is a micro-processor-based timer with a 4-1/2 digit LCD display that can provide an indication of either preset time remaining or elapsed. There are five timing ranges covering time values from one millisecond to 199 hours 59 minutes. The unit has both an instantaneous relay output and a programmable relay output which can be programmed for any one of 14 different timing modes.

The timing range and mode are selected with an internal DIP switch. The time value is entered using the keypad on the front face. The programmed values are retained in memory and are secured in memory by a keypad lockout command. The keypad can also be used to perform secondary functions such as reset, immediate time out, time inhibit, changing the direction of the display, displaying the number of cycles run, and clearing the cycle counter.

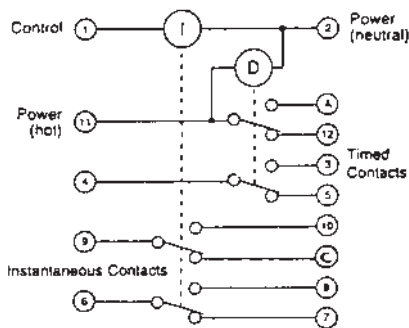
The Model 652 is housed in a standard 15-terminal, plug-in, round case. Models are available for operation on either 120 VAC or 240 VAC.

- Five Time Ranges From 0.001 SEC
- Replaces Most Electro-Mechanical Timers
- Six Single-Cycle and Eight Repeat-Cycle Timing Modes
- Easy Programming 7/16" High LCD Display
- Sealed Faceplate
- Keypad Lockout of Time Setting
- Internal Cycle Counter
- Data Retention Memory with EEPROM Circuitry (652-8-2000, 652-8-2001 Models)
- Data Retention Memory with Lithium Battery (652-8-3000, 652-8-3001 Models)

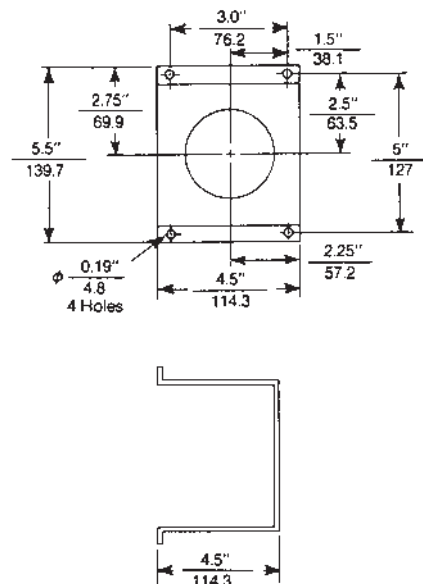
DIMENSIONS (INCHES/MILLIMETERS)



WIRING



model 600-3-3950 surface mounting bracket



## SPECIFICATIONS—ALL MODELS

TIMING RANGES	0.001 SEC to 19.999 SEC
	0.01 SEC to 199.99 SEC
	0.1 SEC to 1999.9 SEC
	1 SEC to 199 MIN 59 SEC
	1 MIN to 199 Hr. 59 MIN
RESET TIME	ON-Delay, Interval, Reverse Start Delay
	Reverse Start Interval, Momentary Start
	Accumulator, Repeat Cycle-OFF First
	Repeat Cycle-ON First, Repeat Cycle
	Reverse Start-OFF First, Repeat Cycle
	Reverse Start-ON First, Repeat Pulse
	Repeat Pulse, First Pulse Immediate
	Repeat Pulse-Reverse Start, Repeat Pulse,
	First Pulse Immediate Reverse Start
TIME SETTING	Front Panel Keypad
TIME REPEAT ACCURACY	±0.005 SEC
DISPLAY	LCD - 4 1/2 Digit, 7/16" High
RELAY MECHANICAL LIFE	50,000,000 Operations
INSTANTANEOUS RELAY OUTPUT	7 Amps Resistive, 240 VAC, 2 N.O.
	2 N.C. Contact
TIMED RELAY OUTPUT	7 Amps Resistive, 240 VAC, 2 N.O.
	2 N.C. Contact
TEMPERATURE RATING	32° - 140°F (0° - 60°C)
OPERATING POWER	120 or 240 VAC, +10%, -20%, 50/60 Hz
TRANSIENT VOLTAGE PROTECTION	Metal Oxide Varistor
NEMA RATING	NEMA 12
TERMINALS	Screw Terminals
MOUNTING	Plug In Case
WEIGHT	Net: 25 oz.
	Shipping: 30 oz.

## SPECIFICATIONS – 652-8-2000 &amp; 652-8-2001

RESET TIME	25 mSEC
CONTROL VOLTAGE INITIATE TIME	25 mSEC
MEMORY	EEPROM Circuitry
POWER CONSUMPTION	5.2 VA

## SPECIFICATIONS – 652-8-3000 &amp; 652-8-3001

RESET TIME	8 mSEC
CONTROL VOLTAGE INITIATE TIME	8 mSEC
MEMORY	Lithium Battery
POWER CONSUMPTION	3.7 VA

## ORDERING INFORMATION

MODEL NUMBER	DESCRIPTION
652-8-2000	Plug-in, Round Case Timer 120 VAC W/EEPROM Memory
652-8-2001	Plug-in, Round Case Timer 240 VAC W/EEPROM Memory
652-8-3000	Plug-in, Round Case Timer 120 VAC W/Battery Memory
652-8-3001	Plug-in, Round Case Timer 240 VAC W/Battery Memory
651-3-0128	Mounting Gasket, 1/8" Thick (Included With Timer)
651-3-0129	Mounting Gasket, 1/4" Thick (Included With Timer)
600-3-3950	Base Mounting Bracket
652-3-0130	Replacement Lithium Battery (For -3000, -3001 Models)

**ISE, Inc.**

10100 Royalton Rd., Cleveland, OH 44133 USA

Phone: (440) 237-3200 Fax: (440) 237-1744

<http://iseinc.com>