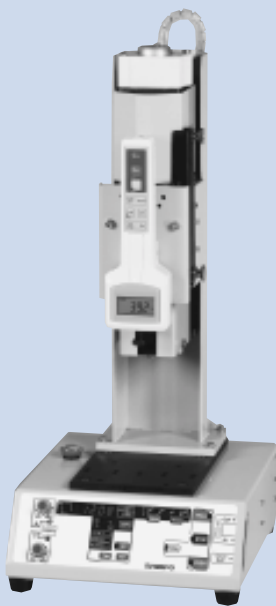


Digital Force Gauges

DFS Series

Value packed - the ultimate in accuracy and sophisticated features!

Microprocessor-controlled, the DFS series represents a unique approach to force testing. Designed to be handheld or stand mounted, the DFS features many advanced functions typically included on gauges costing twice as much. Intelligent and versatile, these high performance gauges are easily user configured for sampling and display update rate, units of measure, baud rate, data output stream, memory type and high and low set points. Large memory capacity (100 samples) and on board statistical processing allows the DFS series to operate with or without computer control. Additionally, each gauge possesses three types of signal outputs for data collection and function analysis.



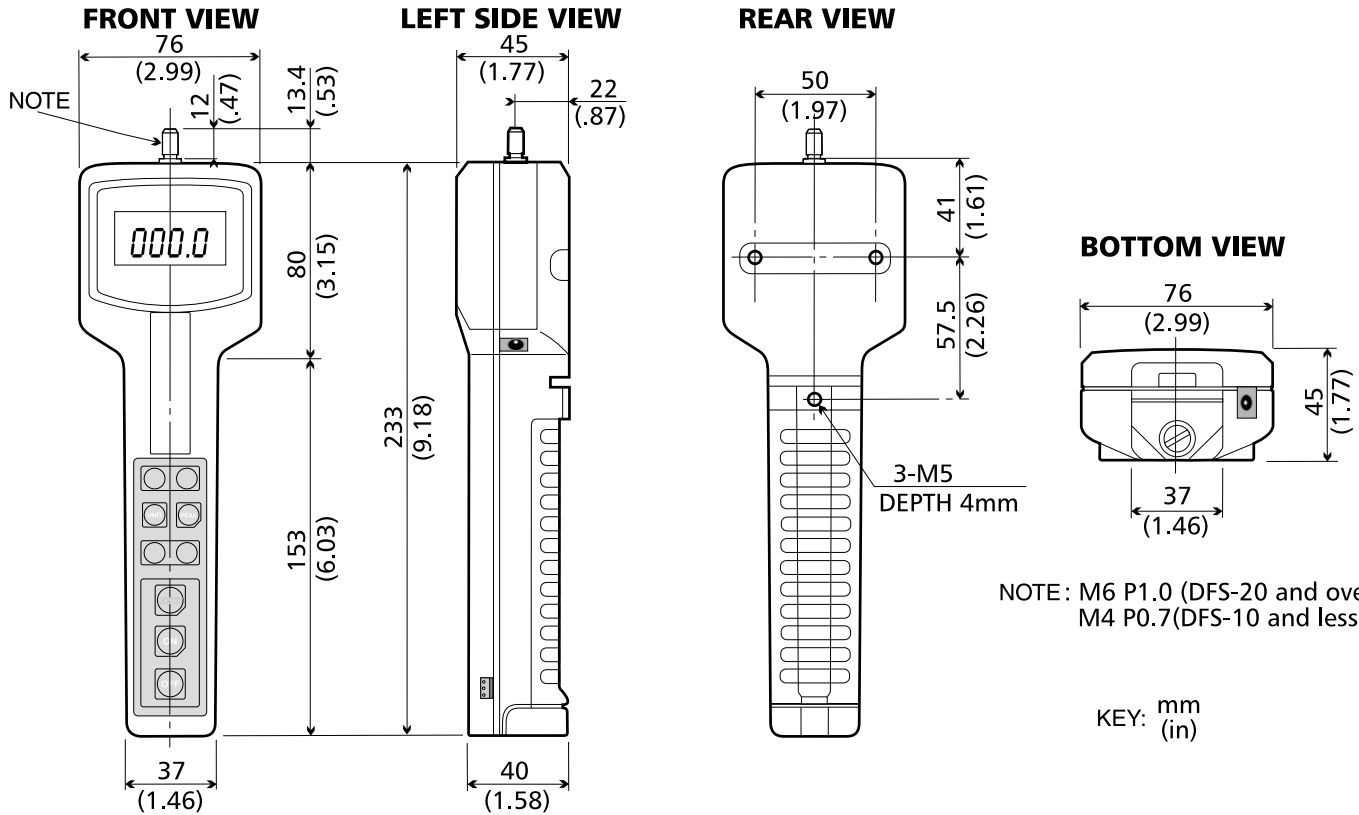
DFS-R with FGS-50PVH motorized test stand

Features

Benefits

Rapid sampling rates as high as 1000 Hz	Captures events in DT and/or NDT set-ups
100 sample memory capacity	Can be downloaded for later use
On board statistical processor	Records min, max, average and standard deviation
Hi and low set points	Ensure test results are within necessary tolerances for GO/NO-GO tests
RS232C, digimatic and analog output	Exceptional flexibility in data collection and function analysis; full duplex communication ideal for downloading to SPC program
Selectable display and sampling rates	Provides flexibility for many testing requirements
Overload output signal	Prevents load cell damage by automatically terminating test stand operation
Overload capacity: 200% F.S.	High overload protection leads to fewer repairs
Heavy-duty load sensor	Designed for over one million operations
Temperature compensated load sensing	Allows usage in harsh environments
Field calibration through keypad	Easy calibration; eliminates down time
Remote tare	Permits hands-free operation when zeroing the gauge using foot switch or other device
Hold function	Provides for switch opening/closure testing
±0.2% F.S. accuracy	Perfect for even the strictest tolerances
Peak or present reading displayed	Recalled with the push of a button
Measures force in lbs, kgs or N	Converts measurements in the gauge
Rugged die-cast aluminum housing	Withstands harsh conditions
Reverse display models available	For handheld or test stand operation
Measures both push and pull forces	Conveniently determined with the same sensing shaft
Auto power shut-off	Prolongs battery life; gauge remains on for daily use
Low battery indicator	Provides ample warning to complete testing (2 hours or more)
One year warranty	Peace of mind

Digital Force Gauges



DFS SPECIFICATIONS

Model ("R" denotes reverse display)	DFS-0.5 DFS-0.5R	DFS-1 DFS-1R	DFS-2 DFS-2R	DFS-5 DFS-5R	DFS-10 DFS-10R	DFS-20 DFS-20R	DFS-50 DFS-50R	DFS-100 DFS-100R
Capacity	8 oz 200 g 2 N	16 oz 500 g 5 N	2 lb 1000g 10 N	5 lb 2 kg 20 N	10 lb 5 kg 50 N	20 lb 10 kg 100 N	50 lb 20 kg 200 N	100 lb 50 kg 500 N
Resolution	0.01 oz		0.001 lb		0.01 lb			0.1 lb
	0.1 g		1 g	0.001 kg		0.01 kg		
	0.001 N		0.01 N		0.1 N			
Accuracy	±0.2% FS. + 1/2 digit at 73°F (23°C)							
Display	Four digit LCD, .45" high (11.5 mm) with various indicators including tension and low battery indication							
Measuring Mode	Average, peak compression, peak tension (selectable)							
Display Update	125 ms, 250 ms, 1 sec, 2 sec (selectable)							
Sampling Rate	Average mode: 125 ms, 250 ms, 1 sec, 2 sec Peak mode: 1 ms, 125 ms, 250 ms, 1 sec, 2 sec							
Temperature Coefficient	Zero: ±0.02% F.S./°C (maximum) Span: ±0.015% of reading/°C (maximum)							
Outputs	1. RS232C 2. Digimatic: (works with Mitutoyo's printer model DP-1HS) 3. Analog: (±1 VDC with load impedance of 2K or higher and tare function capability)							
Overload Capacity	200% of F.S.							
Comparator Output (Set Points)	Three open collector NPN transistors for HI, GO, and LO (28 VDC, 7 ma maximum)							
Overload Output	Two open collector NPN transistors: one for tension and one for compression (28 VDC, 5 ma maximum)							
Tare & Hold Control	Relay contact (selectable)							
Memory	Holds 100 samples plus statistics (max, min, avg and standard deviation)							
Power	Four AA alkaline batteries (included) last approximately 20 hours in continuous operation AC adapter (included) for continuous use							
Auto Power Shut-Off	Selectable (3 minutes if there is no activity)							
Operating Temperature Range	32° - 113°F (0° - 45°C)							
Dimension / Weight	9.71" L x 3" W x 1.77" H (247 mm x 76 mm x 45 mm) /1.2 lb (550 g)							
Standard Accessories	AC adapter, batteries, carrying case, overload output cable and 6 attachments (flat head, hook, chisel, notched head, cone & extension rod)							
OPTIONAL ACCESSORIES	RS232C cable, digimatic, analog and comparator output cables							