

Digital Stroboscopes

DT-721 (120 VAC)

DT-725 (Internal Battery)

DT-721/725 KIT

Economical lightweight units packed with features

The DT-721 and DT-725 are packed with many of the same features as our famous DT-300 series but are lighter in weight. Constructed of strengthened high impact plastic, these rugged units are exceptionally reliable and withstand the same harsh conditions as more expensive units.

Both units are sold separately or as a convenient kit. The DT-721/DT-725 KIT contains a strobe, extra flash bulb, charger and rugged carrying case.



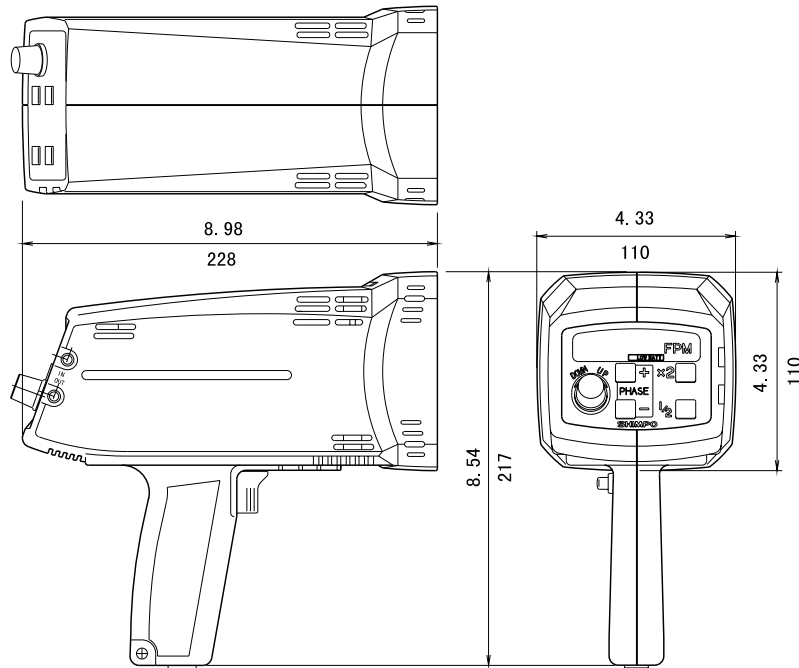
Features

Benefits

Strobe KIT	All components are protected and kept together in one convenient carrying case
Plastic housing with strength members	Shock and impact resistant for exceptional durability
Lightweight design	Portable; easy to carry and operate
Phase shift (in degrees of delay time)	Enables observer to focus on one particular area of rotating and/or reciprocating machinery
Continuous duty flash bulb	Eliminates down time for flash tube cooling
External trigger	Allows synchronization of the flash rate with the motion of the rotating machinery
Slave functions	Can control (or be controlled by) other strobes
Bright LED display	Easy to read in low light conditions
Unique rotary pulse indicator	Permits strobe to be set at the exact flash rate without drift
Manual flash controller knob	Allows easy/accurate flash rate adjustments



Digital Stroboscopes



SPECIFICATIONS		
Model	DT-721 (AC)	DT-725 (DC)
Flashing Range	40.0 - 12,5000 FPM (flashes per minute)	
Accuracy	±0.02 % of reading	
Resolution	0.1 FPM : 40.0 - 4,999.9 FPM 0.2 FPM : 5,000 - 7,999.9 FPM 0.5 FPM : 8,000.0 - 9,999.5 FPM 1 FPM : 10,000 - 12,5000 FPM	
Phase Shift	Use +/- push buttons (360° in 6 seconds)	
Display Update Time	Ext. mode : varies with flashing rate	
Output Signal	NPN open collector (24 VDC max., 50 mA), 150 μsec typical	
Rate Multiplier/Divider	Multiply by 2, divide by 2	
External Trigger Input Signal	a) 12 - 24 VDC thru a 3-wire NPN output sensor (requires external power supply) b) 12 VDC thru a 2-wire proximity sensor (leakage current 1 mA max., load current 8 mA min.) c) Switch or relay contact	
Display	5 digits, 0.3" (8 mm) high, LED	
Flash Tube Power/Life	Xenon, 10 W max. (100 million flashes)	
Flash Duration	10 - 15 μsec	
Sensor Power Supply	None	
Low Battery Indicator	N/A	Flashing LED
Power Requirement	115 VAC or 220 VAC ±10 % 60/50 Hz	Internal battery pack
Operating Temperature Range	32° - 104° F (0 - 40° C)	
Weight	1.5 lb (0.7 kg)	2.75 lb (1.25 kg)
Dimensions	8.98" L x 4.33" W x 8.54" H (228 mm x 110 mm x 217 mm), including handle	
Warranty	1 year	
OPTIONAL ACCESSORIES	Carrying case	Fast charger, carrying case