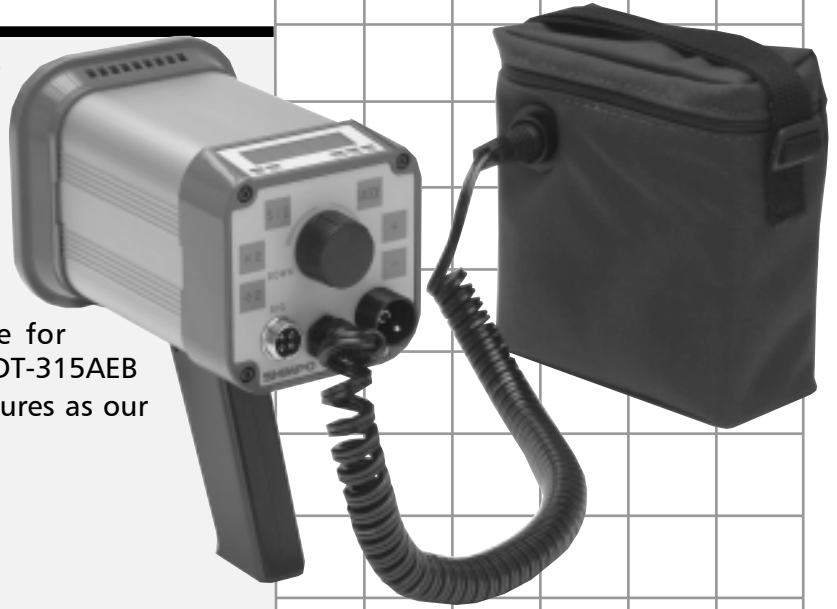


# Digital Stroboscopes

## DT-315AEB

### *Operates independent of line power*

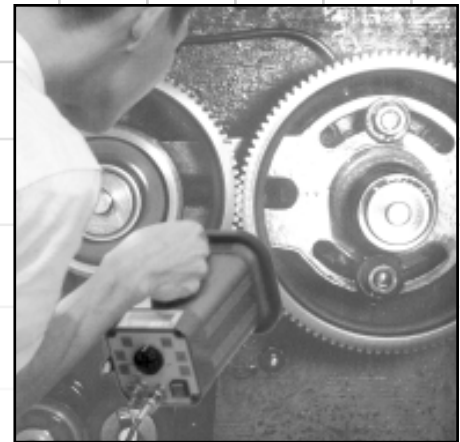
A truly portable unit, the DT-315AEB operates independent of line power via an exterior battery pack that can be carried with a convenient shoulder harness or set down to allow the operator full movement for visual inspection. When fully charged, rechargeable batteries power the strobe for approximately four continuous hours. The DT-315AEB also incorporates the same impressive features as our DT-311A and DT-315A strobes.



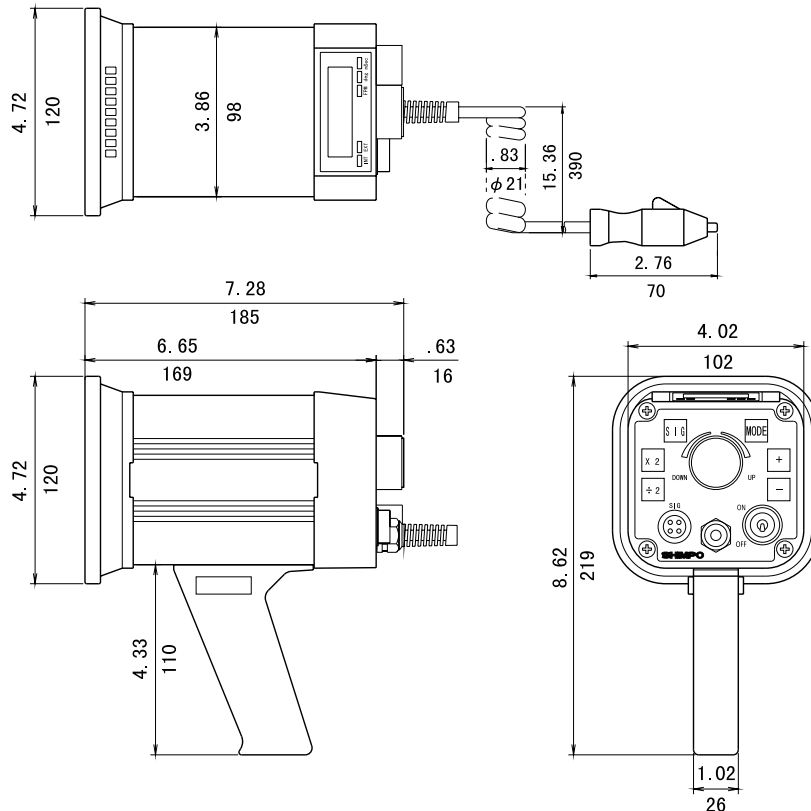
### Features

### Benefits

<b>Extruded aluminum construction</b>	Extraordinary durability yields long service life
<b>External battery supply</b>	Lightweight; enables easy portability
<b>Repeatable accuracy (<math>\pm 0.01\%</math> of reading)</b>	Fully meets the strictest tolerances
<b>Microprocessor-controlled</b>	Guarantees uncompromising performance in volatile temperature environments
<b>Phase shift (in degrees of delay time)</b>	Enables visual analysis of rotating/reciprocating objects through all points of motion/time/angle
<b>Flash timer control</b>	Prolongs flash tube life
<b>Manual flash controller knob</b>	Permits easy/accurate adjustments to flash rate
<b>External trigger</b>	Allows synchronization of the flash rate with the motion of the rotating machinery
<b>Synchronous output</b>	Allows unit to power other strobes
<b>Continuous duty cycle</b>	Eliminates downtime waiting for unit to cool
<b>Highly polished focused reflector</b>	Prevents "blind" viewing areas



# Digital Stroboscopes



## SPECIFICATIONS

Model	DT-315AEB			
<b>INTERNAL MODE</b>				
Flashing Range	40.0 - 35,000 FPM (flashes per minute)			
Accuracy	±0.01 % of reading			
Resolution	0.1 FPM : 40.0 - 5,000 FPM	0.2 FPM : 5,000 - 8,000 FPM	0.5 FPM : 8,000 - 10,000 FPM	1 FPM : 10,000 - 35,000 FPM
Phase Shift	Use +/- push buttons (360° in 6 seconds)			
Display Update Time	0.2 seconds approx.			
Output Signal	Synchronous, 400 μsec. Pulse output, 0 to +12 VDC amplitude(approx.), 4.7 KΩ impedance			
Rate Multiplier/Divider	Multiply by 2, divide by 2			
<b>EXTERNAL MODE</b>				
Flashing Range	0.0 to 35,000 FPM			
Accuracy	±0.01 % ±1 digit			
Phase Shift	0 to 359° with 1° resolution			
Delay Time	0 to 2,000 μsec from 40 - 10,000 FPM			
External Trigger Input Signal	LO level : 0 - 0.8 VDC, HI level : 2.5 - 12 VDC or open collector (NPN), pulse width 50 μsec min.			
Input Impedance	4.7 KΩ to 12 V / 6.8 KΩ to 0 V			
<b>GENERAL</b>				
Display	5 digits, 0.4" (10 mm) high, LED			
Flash Tube Power/Life	Xenon, 10 W max. (100 million flashes)			
Flash Duration	10 - 40 μsec			
Sensor Power Supply	12 VDC (40 mA)			
Low Battery Indicator	Display shows all L's			
Power Requirement	External battery pack (9.8 - 14.5 VDC, 2.3A)			
Operating Temperature Range	32° - 104° F ( 0 - 40° C )			
Weight	2.5 lb (1.1 kg)			
Dimensions	7.28" L x 4.72" W x 4.72" H (185 mm x 120 mm x 120 mm)			
Warranty	1 year			
Standard Accessories	External battery pack with charger			
OPTIONAL ACCESSORIES	Carrying case, sensors			