

# Digital Contact Tachometers

**DT-105A** (LCD)

**DT-107A** (LED)

*The World's Finest Tachometers Are Now Even Better*  
Shimpo's microprocessor technology has heralded a superior standard in tachometer accuracy and capabilities for measuring and recording rotational/linear/surface speeds and total length. Offering unprecedented confidence via new improvements, the DT-105A and DT-107A battery-operated tachometers still feature the same rugged, high quality components that have made them the benchmark in the industry. These user-friendly, value-packed units feature expanded memory storage, added length functions, and many standard accessories.

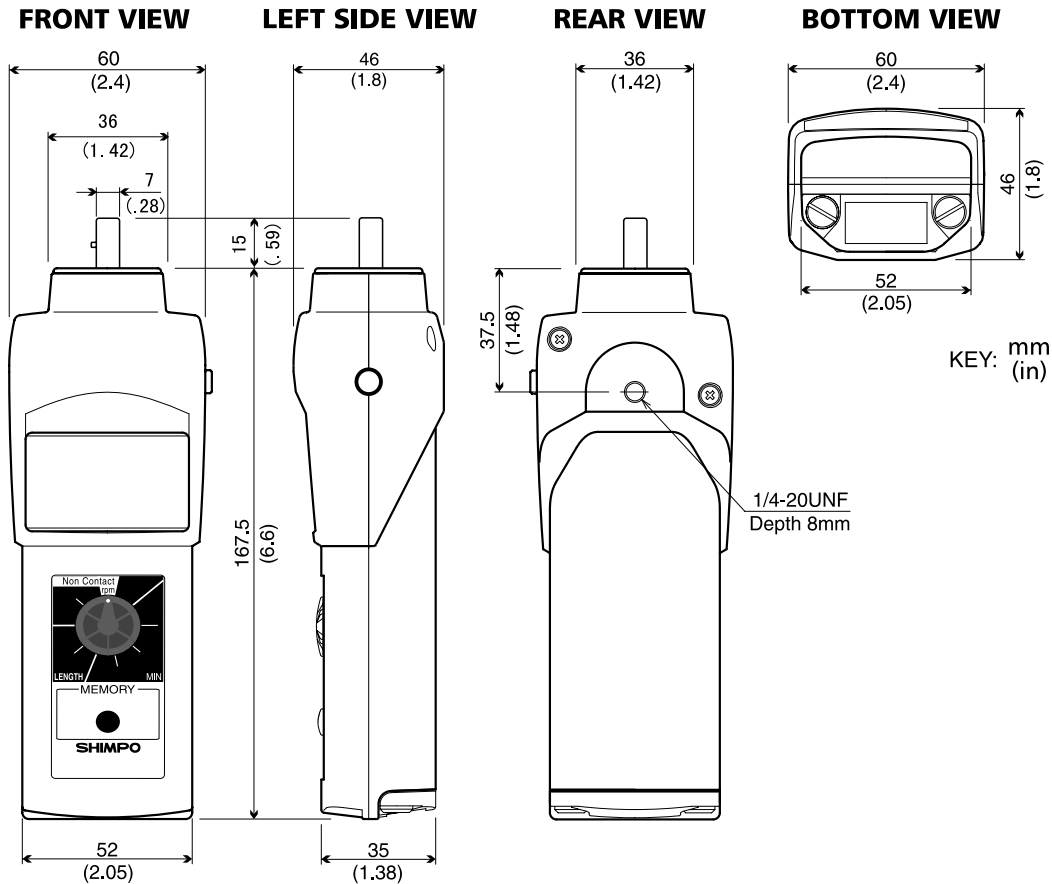
<b>Features</b>	<b>Benefits</b>
Multi-mode speed selection	Features 16 selections for optimum versatility
Outstanding accuracy ( $\pm 0.006\%$ of reading)	Provides reliable measurement results
Rugged aluminum construction	Built to stand the test of time
Direct length measurement	Offers value/versatility via added applications
Extensive speed range (0.10 - 25,000 RPM)	Maximizes usage in almost limitless applications
Large 5 digit display	Allows easy reading of numbers
Lengthy battery life (40 - 60 hours)	Advanced power management enables longer operating times
Large 10 test memory capacity (selectable to 5 minutes or more)	Stores last/min/max readings for thorough equipment and process inspection
Total revolution display	Enables rotation counting during process analysis
CE mark	Compliant with applicable EU directives
Minimum shaft loading overspeed protection	Prevents potential instrument damage



## Wire/Yarn Test Fixture

Optional fixture WY-100 is attached to the DT-105A/107A tachometers for rate and length measurement

# Digital Contact Tachometers



SPECIFICATIONS		
Model	DT-105A	DT-107A
Measuring Range	0.10 - 25,000 RPM with floating decimal	
Accuracy	±0.06 RPM : 0.10 - 999.9 RPM; ±0.6 RPM : 1,000.0 - 9,999.9 RPM ±0.006 % of reading ±1 digit (or 2 RPM max.) : 10,000 - 25,000 RPM	
Display	5 digit 0.47" (12 mm) high LCD	5 digit 0.4" (10 mm) high LED
Measuring Units	Revolutions : RPH,RPM Feet : FPH,FPM Miles : MPH Yards : YPH,YPM Inches : IPM Meters : mPH,mPM Length : m, cm, inches, feet, yards Total Revolutions : REV	
Memory	13 readings are stored in memory and retained for 5 minutes (last, max., min. and 10 extra measurements)	
Display Update Time	1 second (typical)	
Detection	Optical coupler, 60 pulses/rev.	
System Control	Single-chip C-MOS microprocessor	
Over Range Indicator	Flashing numerals	
Voltage Requirement	2 AA 1.5 V batteries	
Low Battery Indicator	Flashing "LO BAT" display	"B" display
Auto Power Shut-Off	Yes	
Battery Life	65 hrs approx.	40 hrs approx.
Operating Temperature Range	32° - 113° F (0 - 45° C)	
Decimal Point	Floating	
Construction	Die-cast aluminum housing	
Weight	0.9 lb (400 g)	
Dimensions	7.2" L x 2.4" W x 1.8" H (182.5 mm x 60 mm x 46 mm)	
Warranty	1 year	
Standard Accessories	2 cone adapters, 1 funnel adapter, 1 3-1/2" extension shaft, carrying case, 1 master wheel (6" cir.)	
OPTIONAL ACCESSORIES	Wire/yarn fixture	