

ROTARY PULSE GENERATOR

MODEL RE2B-600C

Description:

The Shimo RE2B-30C is a quadrature rotary pulse generator which produces two outputs that exhibit a quadrature relationship to one another. A zero position output is also available to mark the reference position of the shaft.

Specifications:

Resolution: 600 pulses per revolution

Maximum Speed: 5000 rpm

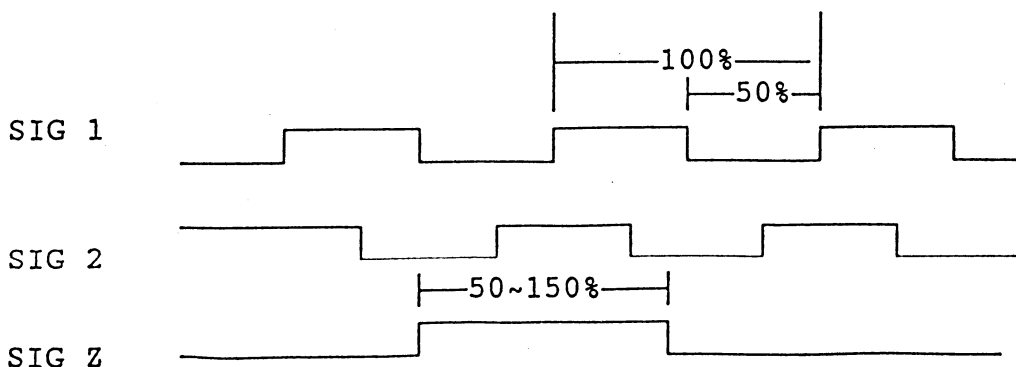
Power Supply: 4.75~30VDC, 60mA (max.)

Output Signal: logic "1"... Supply Voltage minus 2.5V or
more, 10mA (max.)
logic "0"... less than 0.4V, 30mA (max.)

Duty Cycle: 50% ($\pm 25\%$)

Quadrature Output Phase: 90° ($\pm 45^\circ$)

Zero Signal Width: 50~150% of the signal cycle.



Shaft Torque: 0.41 oz-in. (30g-cm) max.

Shaft Allowable Load: Overhung load: 11 lbs. (5Kg)
Thrust load: 6.6 lbs. (3Kg)

Cable Length: 1.6 feet

Operation Temperature: 14° - 122° F (-10° C - 50° C) non-condensing