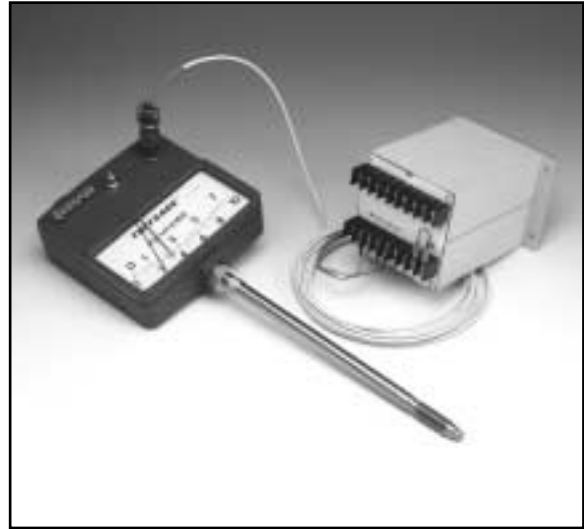


## Tuffgage® Melt Pressure Gauges Model GT90 & GT90B



■ **Complete System Readout**

The GT90 Tuffgage and GT90B Tuffgage with alarm are complete pressure systems that include a sensor and readout gauge. The GT90B's alarm provides a relay contact output with reset capability. A thermocouple output is available as a standard option for both models. These units provide the best value in solving your system requirements.

■ **Easily Installed**

The Tuffgage can be installed in any mounting position and can be specified with the stem up, down, left or right. The meter body can be rotated up to 360 degrees for ease of viewing. The GT90B's alarm module can be mounted on any nearby panel or bracket.

■ **Versatility**

Gentran offers a variety of body lengths, thread dimensions and options for thermocouples to meet most applications. We also have the capability to custom design a special configuration to meet your needs.

■ **Rugged and Durable**

These units require very little maintenance and use no grease. Their rugged design, without fragile parts such as capillary or bourdon tubes, has been proven in almost every melt pressure application. The standard diaphragm material is 17-4 PH stainless steel, with others available for abrasive or corrosive applications.

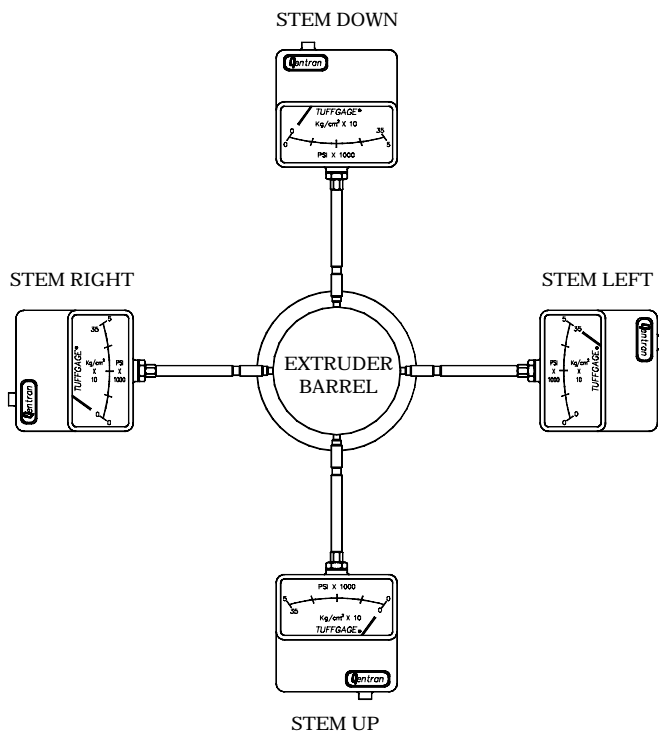
# Ordering Information

## TYPICAL PART NUMBER

### TRANSDUCER

Melt Pressure Gauge Model		Barrel Length		Thermocouple Type		Diaphragm Material		Stem Position		Pressure Range	
GT90	Tuffgage	6	6 inch "A" Length	J	"J" Type	None	17-4 PH SST	U	Up	5C	0-500*
GT90B	Tuffgage with Alarm	9	9 inch "A" Length	K	"K" Type	C	Hard Chrome	D	Down	1K	0-1,000*
						H	Hastelloy C-276	L	Left	1.5K	0-1,500
						I	Inconel 718	R	Right	3K	0-3,000
		12	12 inch "A" Length			N	Titanium Nitride- TiN			5K	0-5,000
						NN	Double Coated TiN			7.5K	0-7,500
										10K	0-10,000
										15K	0-15,000

\*Special range.

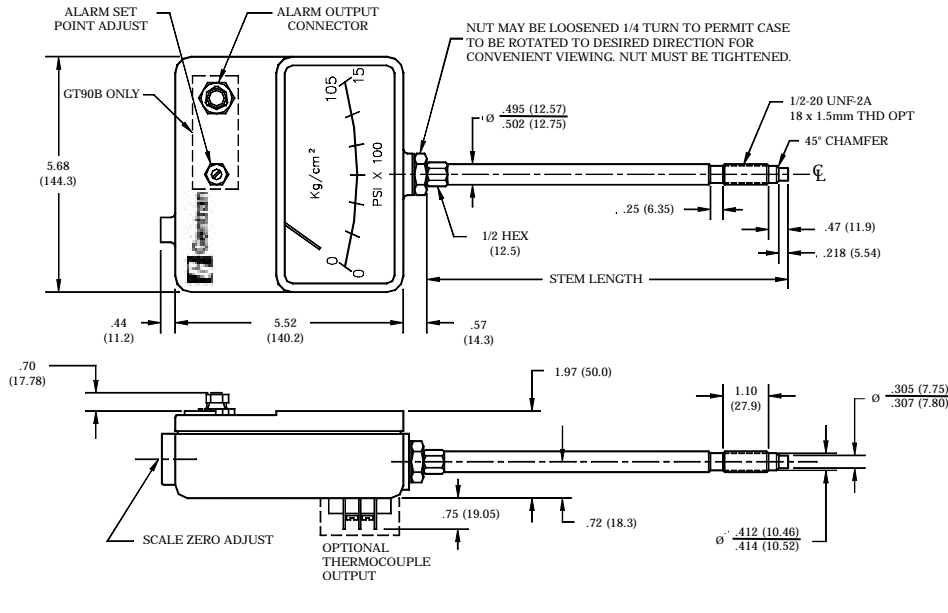


Gentran's GT90 Tuffgage and GT90B Tuffgage with alarm are complete pressure gauge systems designed specifically for the plastic and rubber industries. The units feature a rugged sensor with a 17-4 PH SST diaphragm. The GT90 and GT90B have added flexibility in mounting, with sensor up, down, left or right orientation. They have been designed so the meter portion can be rotated one full revolution after installation for convenient meter viewing. Measurements can be read in PSI or KG/CM<sup>2</sup>.

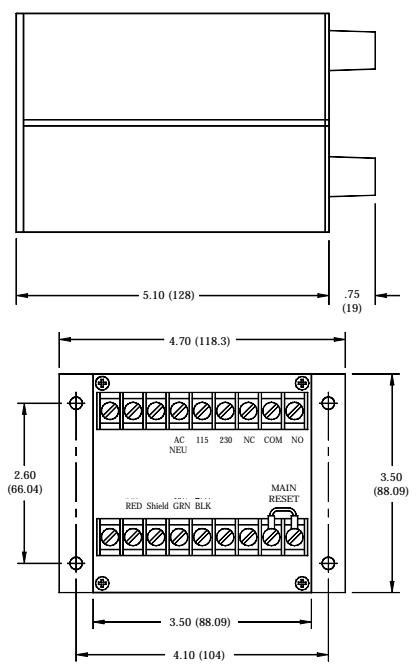
The basic mechanical movement is designed to convert the linear displacement of the diaphragm and push rod assembly to an angular movement of the meter needle. This device contains no mercury or NaK materials to contaminate your process.

The GT90B is provided with a single set point alarm that is adjustable over the entire range of the gauge. The alarm is triggered when the black pressure indicator needle passes over the red alarm set-point needle.

# Dimensions



Alarm Unit Diagram



MODEL	STEM LENGTH
GT90/6	6.5 (165.1)
GT90/9	9.0 (228.6)
GT90/12	12.27 (311.66)

# Specifications: GT90 & GT90B

## Performance Characteristics

**Standard Pressure Ranges:**  
0-1,500 psig, 0-3,000 psig, 0-5,000 psig,  
0-10,000 psig, 0-15,000 psig

**Special Ranges:**  
0-500 psig, 0-1,000 psig  
Other ranges available upon request.

**Accuracy:**  
± 3.0% of full scale maximum (BFSL)

**Repeatability:**  
Within ± 0.5% of full scale maximum

## Physical Characteristics

**Size:**  
See diagram above

**Meter:**  
4½ inch scale

**Operating Temperature:**  
0-750°F at diaphragm

## Physical Characteristics (Cont.)

**Diaphragm Material**  
Standard 17-4 PH Stainless steel.  
Options include Hard Chrome Plate,  
Inconel 718, Titanium Nitride (TiN),  
Double Coated TiN, & Hastelloy C-276.

**Mounting Torque:**  
20 foot-pounds max

**Mounting Thread:**  
½ inch-20 UNF-2A  
Optional: Metric m18 x 1.5

**Weight:**  
2.5 to 3.0 lbs.

## Other Characteristics

**Power:**  
GT90: None required  
GT90B: 115/230 VAC, 50/60Hz.

**Zero Adjustment:**  
On top of housing

## Other Characteristics (Cont.)

**Span Adjustment:**  
None required

**Options:**  
Types J or K thermocouple.  
Custom scales,

**Probe Lengths:**  
Standard: 6, 9 or 12 inches.  
Others optional.

**Alarm Set Point:**  
GT90B only: Front pot, red needle

**Relay:**  
GT90B only: SPDT, 5A @ 30 VDC  
or 115 VAC

