

# ISE, Inc.

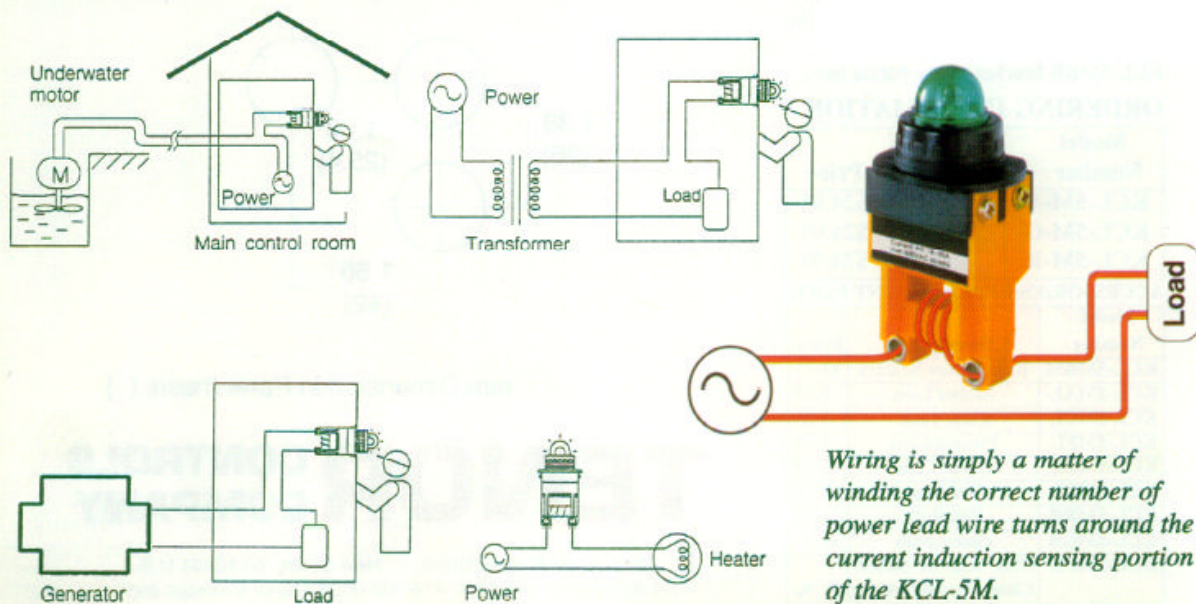
## AC Current Monitoring Light



Tenor Model KCL-5M, AC current monitoring light indicates current flow to motors, heaters, or other current application devices by induction. Typical indicating lights signal only that the switch function has been performed and it has provided power to the light. It does not indicate that the device being powered is drawing current.

**The KCL-5M provides indication that the device being monitored is drawing current.** The cost of scrap, lost time, or damage to equipment resulting from a non-running motor or malfunctioning heater can be greatly reduced with the installation of a Tenor KCL-5M. Priced well below current meters, traditionally used to check flow to a load, the Tenor KCL-5M installs without a wire splice and has a neon indicating lamp rated @ 15,000 hours. Installation requires a one (1") inch diameter panel hole, and the unit requires less than two (2") inches back panel space.

### TYPICAL APPLICATIONS: Heaters, motors (including 3-phase), lamps or other current application devices.



*Wiring is simply a matter of winding the correct number of power lead wire turns around the current induction sensing portion of the KCL-5M.*

**SPECIFICATIONS**

**POWER**

600Vac Max. 50/60 Hz.

**RATED CURRENT**

1 to 20A

**APPLICATION METHOD**

No direct connection to current conducting wire.

**MAX. PEAK CURRENT**

15 times of rated current

**MOUNTING**

Through hole panel mount; Base mount; optional bracket

**LENS COLORS**

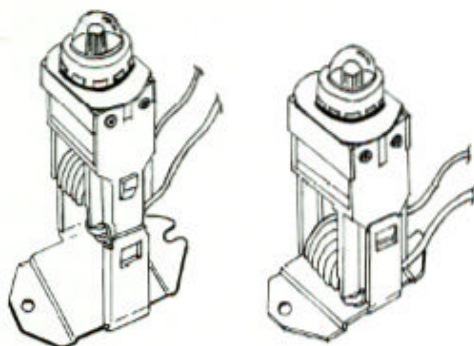
Standard—Red, Amber, Green; Optional: Clear. Frosted

**INDICATING LIGHT (NEON LAMP) LIFE EXPECTANCY**

Approx. 15,000 hours—Replaceable

**BASE MOUNTING**

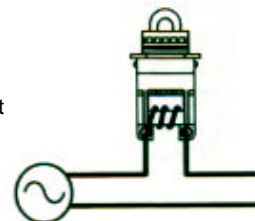
**BRACKET ACCESSORY**



A base mounting bracket (KCL-5MBR) is available for applications where panel mounting is not appropriate. The AC current monitoring indicating light snaps into the base mount bracket and is held secure by mounting “ears located on the side of the light assembly. Order the KCL-5MBR bracket as a separate item.

**HOW TO WIRE**

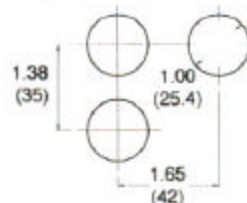
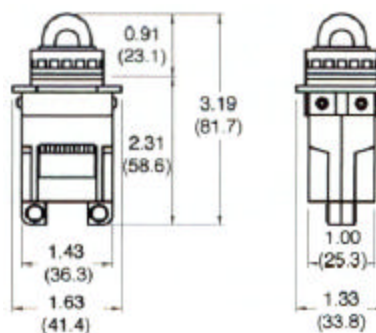
Wind the wire round the current—induction part of the light as shown in the illustration. If the lamp is overly bright or hazy when a set number of wire turns are applied, reduce turns to dim indicator or increase to brighten.



**TYPICAL WIRE—TURN GUIDE**

Resistive Load		Motor Load	
1A	20-23 times	0.2kw	15-16 times
2A	10-12 times	0.4kw	12-14 times
3A	7-8 times	0.75kw	9-10 times
4A	5-6 times	1.5kw	6-7 times
5A-6A	4-5 times	2.2kw	4-5 times
7A-9A	3 times	3.7kw	2-3 times
10A-19A	2 times	5.5kw	2 times
20A	1 time	7.5kw	2 times

**DIMENSIONS**



mm Dimension in Parenthesis ( )

**Ordering Information**

**Model                      Lens Color**

KCL-5M-A                      Amber  
 KCL-5M-G                      Green  
 KCL-5M-R                      Red

**Accessories/Replacement Parts**

**P/N                              Description**

KCL-5MBM                      **Base Mount Bracket**  
 KCL-5M\*L                      **Lens:** Replace \* with A for Amber, C for Clear, G for Green, R for Red  
 KCL-5M\*B                      **Bulb:** Replace \* with C for Amber, C for Clear, G for Green, R for Red



10100 Royalton Rd.  
 Cleveland, OH 44133 USA

Tel: (440) 237-3200 • Fax: (440) 237-1744

**Toledo, OH area:**  
 417 Tomahawk Dr.  
 Maumee, OH 43537

Tel: (419) 893-3330 • Fax: (419) 893-2151