

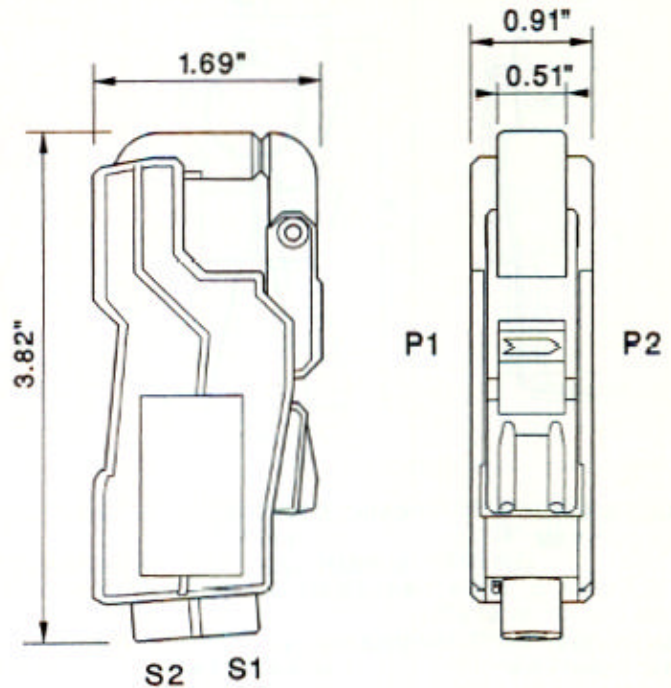
AC CURRENT CLAMPS

M1 SERIES

MEETING IEC STANDARD 348 CLASS II

GENERAL SPECIFICATIONS

ACCURACY CLASS: 1%
 OPERATING VOLTAGE: 650 VOLTS MAX.
 ISOLATION TEST: 4 kV -1 MINUTE
 CURRENT RATING: FULL SCALE . CONTINUOUS
 100% OVERRANGE -3 MINUTES
 TEMPERATURE RANGE: -10 to +50 Deg. C
 WEIGHT: 0.25 lb
 OUTPUT TERMINALS: 4mm Safety Terminals
 Cable . Optional
 CABLE OPENING: 0-.59" 2.0"
 COLOR:
 CURRENT OUTPUT: Gray
 VOLTAGE OUTPUT: Blue



SPECIAL CABLES and CONNECTORS ARE AVAILABLE.

US Models	Primary Current	Output	Max Current	Load	Phase (Deg.)	Frequency for 3%	Frequency for -3db
AC MICROCLAMPS with AC VOLTAGE OUTPUT							
M1V-1-1	5mA to 1AAC	1 VAC	10A	>300K Ohm	4.0	40-2000	30-40,000
M1V-5-1	20mA to 5AAC	1 VAC	50A	>100K Ohm	3.0	40- 2000	30-40,000
M1V-5-2	20mA to 5AAC	2 VAC	25A	>150K Ohm	3.5	40-2000	30-40,000
M1V-10-1	50mA to 10AAC	1 VAC	100A	>30K Ohm	2.5	40- 2000	30-40,000
M1V10-2	25mA to 10AAC	2 VAC	50A	>100K Ohm	3.0	40-2000	30-40,000
M1V-10-5	10mA to 10AAC	5 VAC	200A	>200K Ohm	2.0	40- 2000	30-40,000
M1V-20-1	100mA to 20AAC	1 VAC	100A	>10K Ohm	2.0	40-2000	30-40,000
M1V-20-2	50mA to 20AAC	2 VAC	100A	>30K Ohm	2.5	40- 2000	30-40,000
M1V-20-5	20mA to 20AAC	5 AAC	40A	>150K Ohm	3.0	40-2000	30-40,000
M1V-50-1	200mA to 50AAC	1 AAC	200A	>5K Ohm	1.5	40- 2000	30-40,000
M1V-50-2	100mA to 50AAC	2 AAC	200A	>10K Ohm	2.0	40-2000	30-40,000
M1V-50-5	50mA to 50AAC	5 AAC	100A	>30K Ohm	2.5	40- 2000	30-40,000
M1V-100-1	50mA to 100AAC	1AAC	200A	>50K Ohm	3.0	40-2000	30-10,000
M1V-100-5	50mA to 100AAC	5 AAC	150A	>50K Ohm	3.0	40- 2000	30-10,000
M1V-200-1	100mA to 200AAC	1 AAC	300A	>50K Ohm	3.0	40-2000	30-10,000
M1V-200-2	100mA to 200AAC	2 AAC	300A	>100K Ohm	3.0	40- 2000	30-10,000
M1V-200-5	100mA to 200AAC	5 AAC	300A	>200K	3.0	40-2000	30-10,000
AC MICROCLAMPS with AC CURRENT OUTPUT							
M1-100-1	50mA to 100AAC	1 AAC	200A	0.1-0.5 ohm	1.5 to 2.5	40- 2000	30-10,000
M1-200-.1	100mA to 200AAC	0.1AAC	300A	0.1-10 ohm	1.5 to 2.5	40-2000	30-10,000
M1-200-.2	100mA to 200AAC	0.2 AAC	300A	0.1-5 ohm	1.5 to 2.5	40- 2000	30-10,000
M1-200-1	100mA to 200AAC	1 AAC	300A	0.1-0.5 ohm	1.5 to 2.5	40-2000	30-10,000

<http://instserv.com>

ISE, Inc.

10100 Royalton Rd.
 Cleveland, OH 44133 USA

Tel: (440) 237-3200 • Fax: (440) 237-1744

Toledo, OH area:

417 Tomahawk Dr.
 Maumee, OH 43537

Tel: (419) 893-3330 • Fax: (419) 893-2151