

Hall-Effect Three-Phase Watt Monitors

4-WIRE 3-ELEMENTS ("WYE")

PWH43
0.5% ACCURACY

SPECIFICATIONS

INPUT VOLTAGE RANGE: FULL SCALE CONTINUOUS
50% OVERRANGE - 3 Seconds
(600 Volts Maximum)

INPUT CURRENT RANGE: FULL SCALE CONTINUOUS
50% OVERRANGE - 3 Seconds

LINE FREQUENCY: 20 to 1000 Hz

50-60 Hz ACCURACY CLASS: 0.5% of Full Scale

OUTPUT OPTIONS: 1, 5 or 10 Volt DC
1, 10, 20 or 4-20 mADC

OUTPUT RIPPLE: 1% Peak-to-Peak Maximum

ISOLATION TEST: 1 kV - 1 Minute

TEMPERATURE RANGE: 0 to +50 Deg. C

STORAGE TEMPERATURE: -20 to +80 Deg. C

POWER: 120 VAC 50-60 Hz

(120 VAC, 24, 48, 120 VDC ARE OPTIONAL)

Applications and Features

FOR NON-SINUSOIDAL CONTINUOUS MONITORING.

OUTPUT PROPORTIONAL TO TRUE ACTIVE POWER.

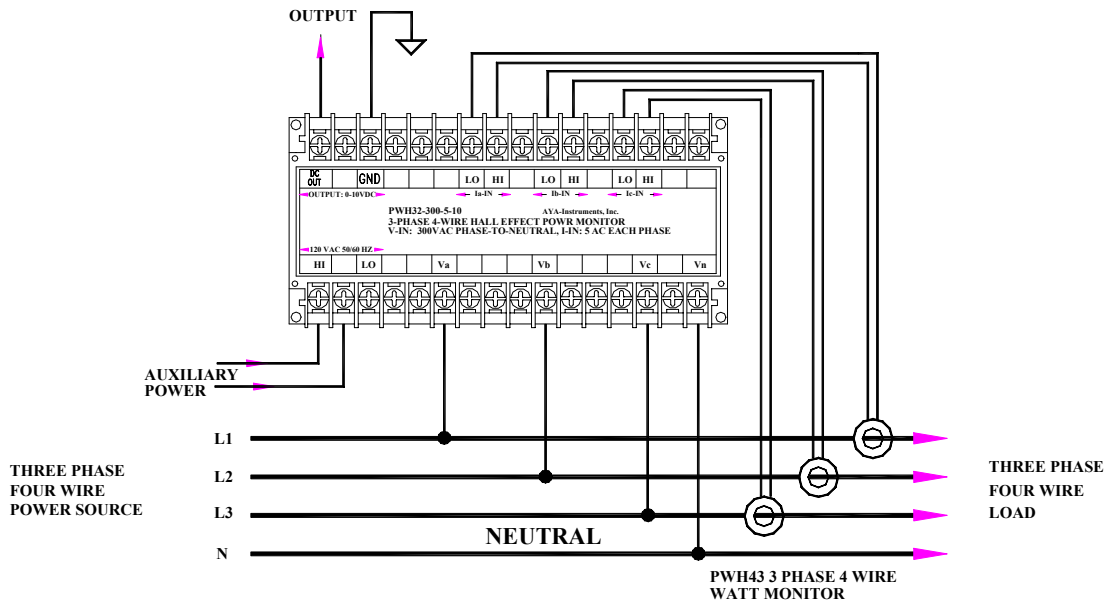
OUTPUT SIGNALS ARE INDEPENDENT OF INPUT VOLTAGE AND CURRENT WAVEFORMS.

CAN BE USED WITH EXTERNAL PT's AND CT's.

OPTIONAL TERMINAL COVERS PROVIDE PROTECTION FROM ELECTRICAL SHOCK AND SHORTING.

SPECIAL INPUT and OUTPUT RANGES ARE AVAILABLE.

ENCLOSURE TYPE: DIN RAIL TYPE 46277
5.9" x 2.9" x 4.4"



SELECTION CHART							
VOLTAGE INPUT	CURRENT INPUT	PWH43 -					
		1 VDC	5 VDC	10 VDC	1 mADC	20 mADC	4-20 mADC
150 VAC	1 AAC	150-1-1	150-1-5	150-1-10	150-1-1M	150-1-20M	150-1-4/20
150 VAC	5 AAC	150-5-1	150-5-5	150-5-10	150-5-1M	150-5-20M	150-5-4/20
150 VAC	25 AAC	150-25-1	150-25-5	150-25-10	150-25-1M	150-25-20M	150-25-4/20
300 VAC	1 AAC	300-1-1	300-1-5	300-1-10	300-1-1M	300-1-20M	300-1-4/20
300 VAC	5 AAC	300-5-1	300-5-5	300-5-10	300-5-1M	300-5-20M	300-5-4/20
300 VAC	25 AAC	300-25-1	300-25-5	300-25-10	300-25-1M	300-25-20M	300-25-4/20
600 VAC	1 AAC	600-1-1	600-1-5	600-1-10	600-1-1M	600-1-20M	600-1-4/20
600 VAC	5 AAC	600-5-1	600-5-5	600-5-10	600-5-1M	600-5-20M	600-5-4/20
600 VAC	25 AAC	600-25-1	600-25-5	600-25-10	600-25-1M	600-25-20M	600-25-4/20

Specifications subject to change without notification