

# Hall-Effect Single-Phase Power Monitors

**PWH**  
0.5% ACCURACY

## SPECIFICATIONS

<b>INPUT VOLTAGE RANGE:</b>	FULL SCALE CONTINUOUS 50% OVERRANGE - 3 Seconds (600 Volts Maximum)
<b>INPUT CURRENT RANGE:</b>	FULL SCALE CONTINUOUS 50% OVERRANGE - 3 Seconds
<b>LINE FREQUENCY:</b>	20 to 1000 Hz.
<b>50-60 Hz ACCURACY CLASS:</b>	0.5% of Full Scale
<b>OUTPUT OPTIONS:</b>	1, 5 or 10 Volt DC 1, 10, 20 or 4-20 mADC
<b>OUTPUT RIPPLE:</b>	1% Peak-to-Peak Maximum
<b>ISOLATION TEST:</b>	1 kV - 1 Minute
<b>TEMPERATURE RANGE:</b>	0 to +50 Deg. C
<b>STORAGE TEMPERATURE:</b>	-20 to +80 Deg. C
<b>POWER:</b>	120 VAC 50-60 Hz (120 VAC, 24, 48, 120 VDC ARE OPTIONAL)

## Applications and Features

FOR CONTINUOUS MONITORING OF :  
TRUE ACTIVE POWER ( WATTS)

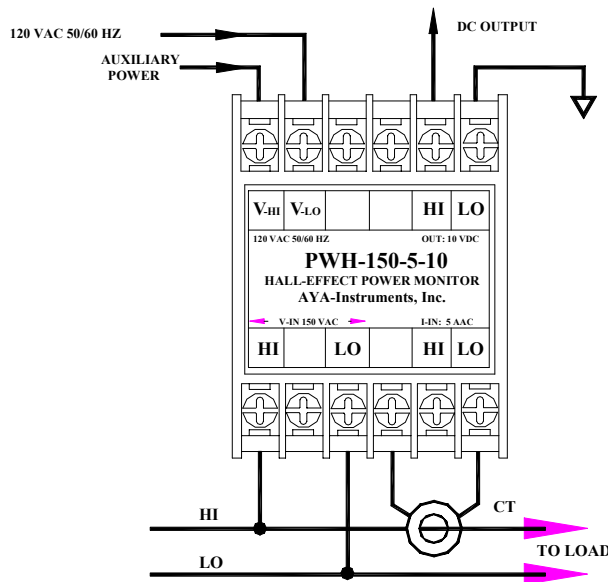
OUTPUT SIGNAL IS INDEPENDENT OF INPUT  
VOLTAGE AND CURRENT WAVEFORMS.

CAN BE USED WITH EXTERNAL PT's AND CT's.

OPTIONAL TERMINAL COVERS PROVIDE PROTECTION  
FROM ELECTRICAL SHOCK AND SHORTING.

SPECIAL INPUT and OUTPUT RANGES ARE AVAILABLE.

<b>ENCLOSURE TYPE:</b>	DIN RAIL TYPE 46277
<b>For Voltage Output:</b>	2.17" x 2.9" x 4.4"
<b>For mADC Output:</b>	2.95" x 2.9" x 4.4"



## SELECTION CHART

VOLTAGE INPUT	CURRENT INPUT	PWH-					
		1 VDC	5 VDC	10 VDC	1 mADC	20 mADC	4-20 mADC
150 VAC	1 AAC	150-1-1	150-1-5	150-1-10	150-1-1M	150-1-20M	150-1-4/20
150 VAC	5 AAC	150-5-1	150-5-5	150-5-10	150-5-1M	150-5-20M	150-5-4/20
150 VAC	25 AAC	150-25-1	150-25-5	150-25-10	150-25-1M	150-25-20M	150-25-4/20
300 VAC	1 AAC	300-1-1	300-1-5	300-1-10	300-1-1M	300-1-20M	300-1-4/20
300 VAC	5 AAC	300-5-1	300-5-5	300-5-10	300-5-1M	300-5-20M	300-5-4/20
300 VAC	25 AAC	300-25-1	300-25-5	300-25-10	300-25-1M	300-25-20M	300-25-4/20
600 VAC	1 AAC	600-1-1	600-1-5	600-1-10	600-1-1M	600-1-20M	600-1-4/20
600 VAC	5 AAC	600-5-1	600-5-5	600-5-10	600-5-1M	600-5-20M	600-5-4/20
600 VAC	25 AAC	600-25-1	600-25-5	600-25-10	600-25-1M	600-25-20M	600-25-4/20

Specifications subject to change without notification

**ISE, Inc.**

Tel: 440-237-3200 Fax: 440-237-1774

10100 Royalton Road, Cleveland, OH 44133

www.instserv.com